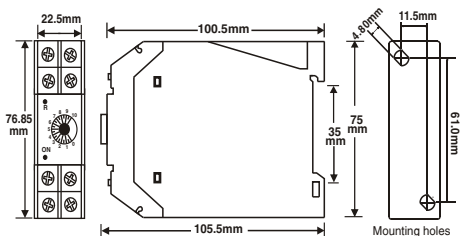




PANEL DIMENSIONS



SPECIFICATIONS

SUPPLY VOLTAGE

230 VAC, 110 VAC (Tolerance: -15 to + 10%)
(Factory set)
200 VAC to 450 VAC, AC : 50 or 60 Hz

OUTPUT CONTACT

800SD : 1NO contact each for star and delta relay.

800SD-2 : 1C/O contact each for star and delta relay.
(Rated at 5A@230 VAC, resistive.)

LED INDICATION

Star relay, Delta relay.

TIME RANGE

Run up time : 30/60 sec.
Change over time : 50/100 ms.
(User selectable via DIP switches)

ACCURACY

Setting : $\pm 5\%$ of full scale.
Repeat : $\pm 0.5\%$ or 50 ms
(whichever is greater)

RESET

On interruption of power.
Reset time less than 100 ms.

MOUNTING

DIN rail / Screw mounting.

SIZE (In mm)

22.5(W) x 75(H) X 101(D).

HOUSING

CE marked products : Flame retardant plastic.

Non CE products : ABS plastic.

TEMPERATURE

Operating : 0°C to 50°C .
Storage : -20°C to 75°C .

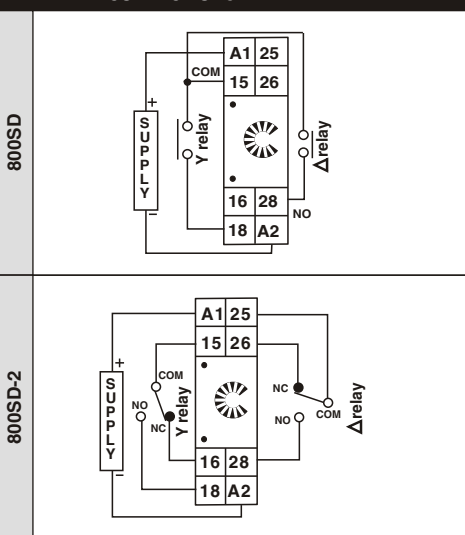
HUMIDITY

Up to 95% RH.

WEIGHT

115 grams.

TERMINAL CONNECTIONS



TERMINAL		DESCRIPTION
800SD	800SD-2	
A1	A1	Timer Supply (L)
A2	A2	Timer Supply (N)
15	15	Y relay COM
-	16	Y relay NC
18	18	Y relay NO
15	25	Δ relay COM
-	26	Δ relay NC
28	28	Δ relay NO

PLEASE MAINTAIN THESE INSTRUCTIONS AND REVIEW THEM PRIOR TO USING THE UNIT:

! WARNING

1. The Equipment is built-in type with class II construction and is protected by Reinforced Insulation. Terminals are a part of the front panel and are protected by means of finger guards. Finger guards are not to be removed during, wiring, installation, operation or maintenance.
2. The power should be turned off while wiring and maintenance to prevent the risk of electric shock. Do not touch any terminals when the power is ON.
3. Wiring shall be done strictly according to the terminal layout with shortest connections.
4. Fuse Protection: The equipment does not have Built-in fuse. External fuse of rating 275 VDC/1 A is recommended.

! CAUTION

1. This unit is not intended for outdoor use.
2. The power connection cable must have a cross-section of atleast 1sq.mm and insulation capacity of atleast 1.5kV. Use lugged terminals to meet M3 screws.
3. The output connections must not be loaded beyond the specified values/range.
4. Avoid inflow of dust and contact of conductive material with the internal circuitry of the unit.
5. Clean the equipment with a clean, soft cloth. Do not use any organic solvents like Isopropyl alcohol for cleaning.

DIP switch setting for time range selection

For Run time range

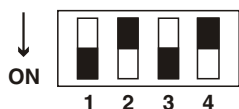
TIME RANGE	SW1	SW2
30sec	ON	OFF
60sec	OFF	ON

For Pause time range

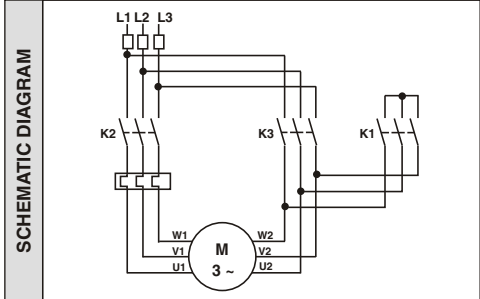
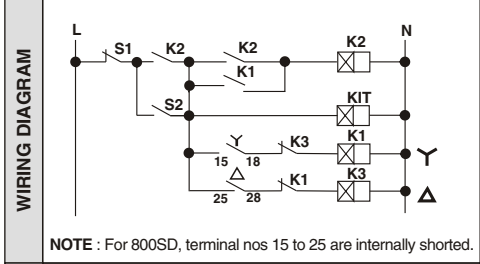
TIME RANGE	SW3	SW4
50msec	ON	OFF
100msec	OFF	ON

Switch setting example

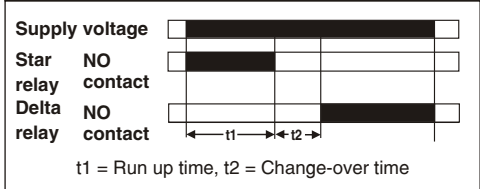
Run-up time range - 30sec.
Pause time range - 50msec



PRINCIPLE OF OPERATION



MODE OF OPERATION



(Specifications are subject to change, since development is a continuous process.)

Selec Controls Pvt. Ltd., India

Factory Address :
EL-27/1, Electronic Zone, TTC Industrial Area, MIDC, Mahape,
Navi Mumbai - 400 710, INDIA.
Tel. No. : +91-22-41 418 419/430 | Fax No. : +91-22-28471733
Toll free : 1800 227 353 (BSNL/MTNL Subscribers only)
Website : www.selec.com | Email : sales@selec.com