



### Features :

- Use with different bus bar
- Panel mount / Din rail mount (Optional accessory)
- Accuracy : Class 0.5 to 5

Cetification :

### Input / Output specifications

Rated primary rating	30A to 4000A
Rated secondary output	5A

### Technical specifications

Rated burden	1VA to 15VA
Class of accuracy	0.5 to 5
Thermal Nominal Continuous	120% of In Rated Current (I <sub>cth</sub> )
Thermal short circuit current (I <sub>th</sub> )	I <sub>th</sub> = 60 X In for 1 sec
Instrument security factor	FS <5
Isolation class	E (120°C max)
Max operating voltage (U <sub>m</sub> )	720V maximum
Isolation test voltage	3kV AC 1 min
Nominal rated frequency	AC 50Hz - 60Hz

### Environmental specifications

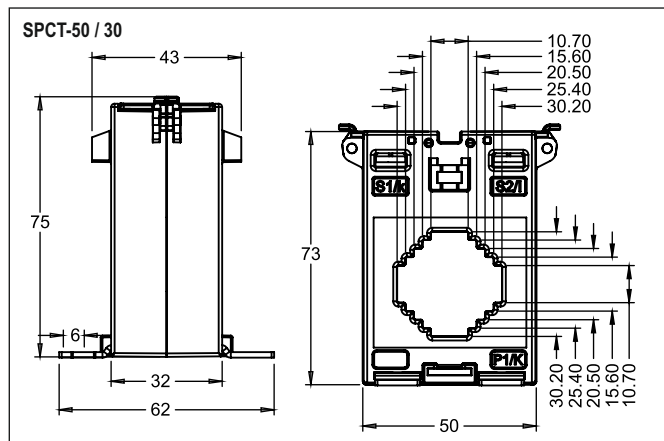
Ambient temperature	0°C...+50°C
Humidity	< 95% RH (non condensing)
Storage temperature	-5°C...+50°C

Mounting modes	Panel Mount / DIN rail Mount
----------------	------------------------------

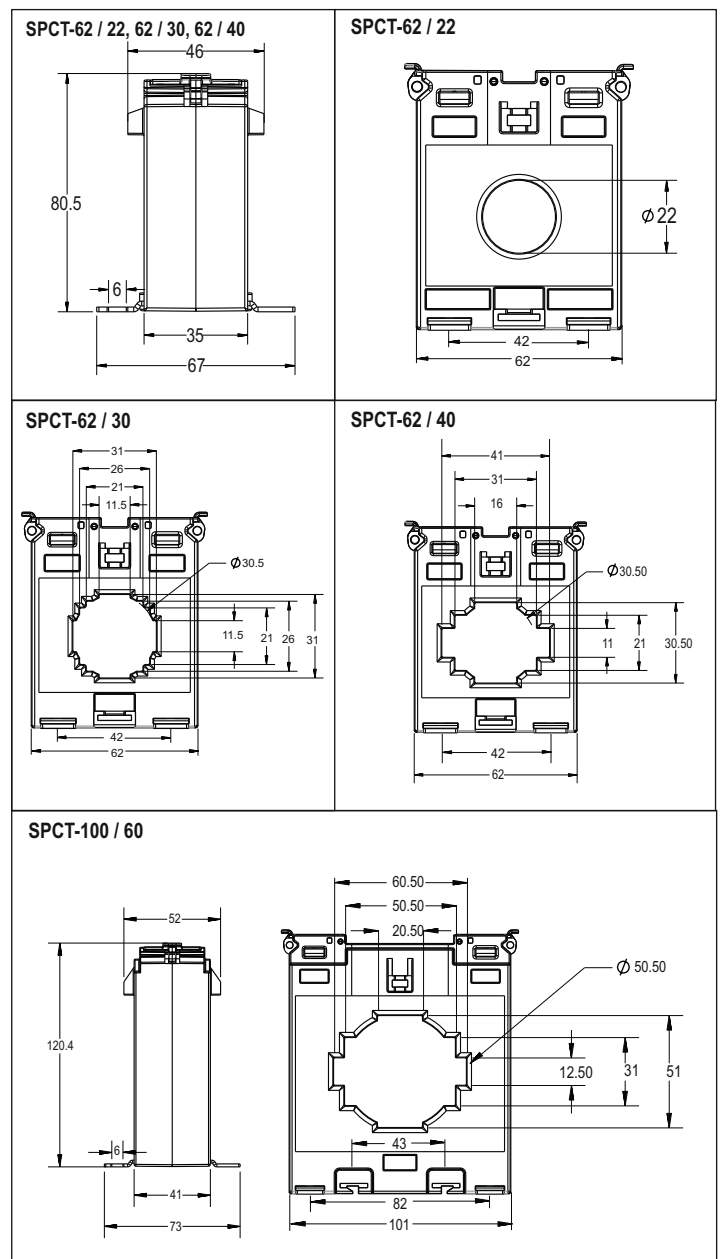
### Standard

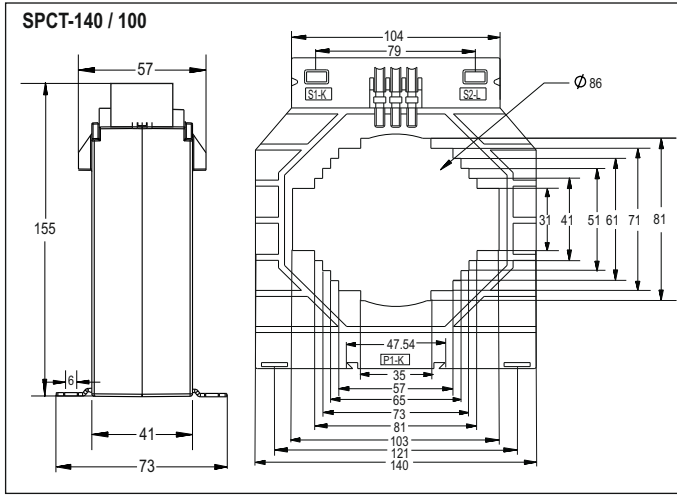
Applicable standard	IEC 61869 - 2
---------------------	---------------

### Dimension (in mm)

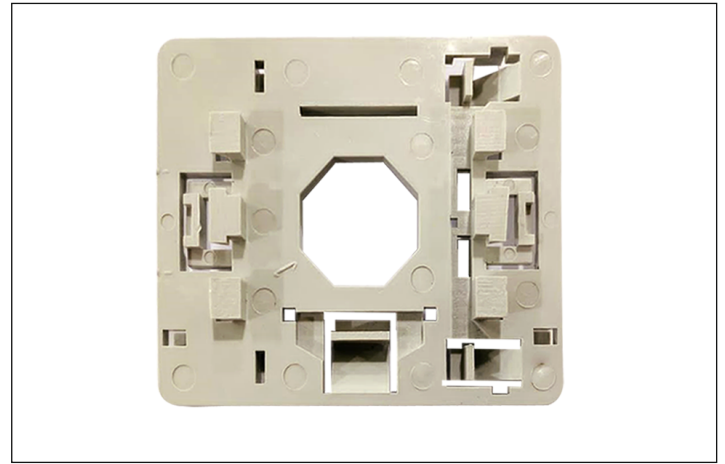


### Dimension (in mm)





Accessories (DIN Rail Clamp)



Ordering Information

PRODUCT CODE	WIRE APERTURE In mm	CURRENT RATIO	BURDEN IN VA	ACCURACY CLASS
SPCT 50/30 60/5 A VA 1 CL 5	30x10	60 / 5	1	5
SPCT 50/30 75/5 A VA 1 CL 1	30x10	75 / 5	1	1
SPCT 50/30 80/5 A VA 1 CL 1	30x10	80 / 5	1	1
SPCT 50/30 100/5 A VA 1 CL 1	30x10	100 / 5	1	1
SPCT 50/30 125/5 A VA 1.25 CL 1	30x10	125 / 5	1.25	1
SPCT 50/30 160/5 A VA 1.5 CL 1	30x10	160 / 5	1.5	1
SPCT 50/30 200/5 A VA 3 CL 1	30x10	200 / 5	3	1
SPCT 50/30 250/5 A VA 3 CL 1	30x10	250 / 5	3	1
SPCT 50/30 400/5 A VA 5 CL 1	30x10	400 / 5	5	1
SPCT 62/22 30/5 A VA 1 CL 5	DIA 22	30 / 5	1	5
SPCT 62/30 50/5 A VA 1 CL 3	30x10	50 / 5	1	3
SPCT 62/30 50/5 A VA 1.5 CL 3	30x10	50 / 5	1.5	3
SPCT 62/30 75/5 A VA 1 CL 3	30x10	75 / 5	1	3
SPCT 62/30-75/5 A VA 3 CL 3	30x10	75 / 5	3	3
SPCT 62/30 100/5 A VA 1 CL 1	30x10	100 / 5	1	1
SPCT 62/30 100/5 A VA 3 CL 1	30x10	100 / 5	3	1
SPCT 62/40 100/5 A VA 1 CL 1	40x10	100 / 5	1	1
SPCT 62/40 125/5 A VA 1 CL 1	40x10	125 / 5	1	1
SPCT 62/40 150/5 A VA 1.5 CL 1	40x10	150 / 5	1.5	1
SPCT 62/40 150/5 A VA 3 CL 1	40x10	150 / 5	3	1
SPCT 62/40 160/5 A VA 1.5 CL 1	40x10	160 / 5	1.5	1
SPCT 62/40 200/5 A VA 2.5 CL 0.5	40x10	200 / 5	2.5	0.5
SPCT 62/40 200/5 A VA 3 CL 1	40x10	200 / 5	3	1
SPCT 62/40 250/5 A VA 2.5 CL 0.5	40x10	250 / 5	2.5	0.5
SPCT 62/40 250/5 A VA 3 CL 1	40x10	250 / 5	3	1

## Ordering Information

PRODUCT CODE	WIRE APERTURE In mm	CURRENT RATIO	BURDEN IN VA	ACCURACY CLASS
SPCT 62/40 300/5 A VA 3 CL 0.5	40x10	300 / 5	3	0.5
SPCT 62/40 400/5 A VA 3.75 CL 0.5	40x10	400 / 5	3.75	0.5
SPCT 62/40 400/5 A VA 5 CL 1	40x10	400 / 5	5	1
SPCT 100/60 500/5 A VA 5 CL 1	60x12	500 / 5	5	1
SPCT 100/60 600/5 A VA 5 CL 0.5	60x12	600 / 5	5	0.5
SPCT 100/60 600/5 A VA 7.5 CL 1	60x12	600 / 5	7.5	1
SPCT 100/60 800/5 A VA 10 CL 0.5	60x12	800 / 5	10	0.5
SPCT 100/60 1000/5 A VA 15 CL 0.5	60x12	1000 / 5	15	0.5
SPCT 100/60 1200/5 A VA 15 CL 0.5	60x12	1200 / 5	15	0.5

## Accessories

PRODUCT CODE	CERTIFICATION
CLAMP_DINRAIL_SPCT GREY RAL 7035 ABS	---