



DIN 22.5mm

Features :

- Star Delta
- 2 Time Ranges
- LED Indications : Star Relay ON, Delta Relay ON

Certification :

Display Specifications

| | |
|-----------------|-------------------------------|
| LED Indications | Star Relay ON, Delta Relay ON |
|-----------------|-------------------------------|

Input Specifications

| | |
|----------|---|
| Accuracy | Setting : $\pm 5\%$ of F.S. Repeat : $\pm 0.5\%$ or 50msec (F.S. = Full Scale) |
|----------|---|

Output Specifications

| | |
|----------------|-----------------------------------|
| Relay Contact | 1 C/O Relay each for Star & Delta |
| Contact Rating | 5A @ 250V AC |

Functional Specifications

| | |
|-------------|--|
| Modes | Star - Delta |
| Time Ranges | Runup time range : 30 / 60sec Change Over : 50 / 100msec (user selectable via DIP switches) |
| Reset | On power interruption Reset time < 100msec |

Auxiliary Supply Specifications

| | |
|-------------------|---|
| Supply Voltage | 230V AC / 110V AC / 230 to 450V AC (50 / 60Hz) -15% to 10% tolerance |
| Power Consumption | 10VA max |

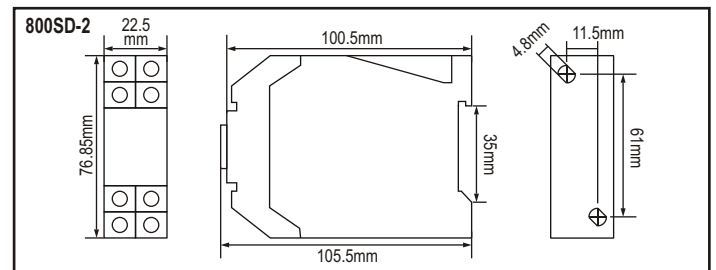
Environmental Specifications

| | |
|-----------------------------|--|
| Temperature | Operating : 0 to 50°C (32 to 122°F) Storage : -20 to 75°C (-4 to 167°F) |
| Humidity (non - condensing) | 95% RH |

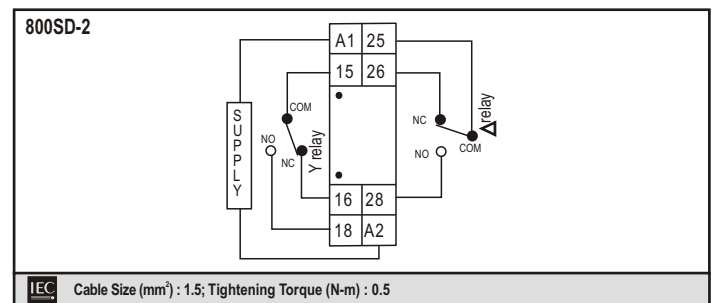
Mechanical Specifications

| | |
|----------|----------------|
| Mounting | DIN Rail Mount |
| Weight | 115gms |

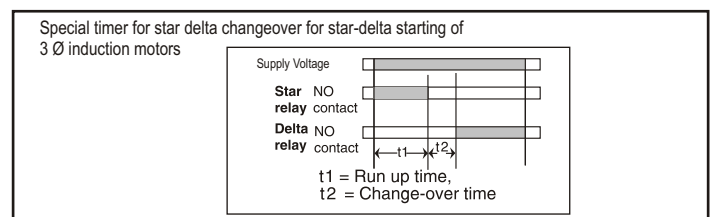
Dimensions



Terminal Connections



Timing Diagram



Compliance

| Applicable EMI / EMC Standards | | |
|-----------------------------------|---------------------|---------------|
| Product Standard | | |
| Category | Reference Standards | Testing Level |
| Electrostatic Discharge | IEC 61000-4-2 | Level-3 |
| Electrical Fast Transient / Burst | IEC 61000-4-4 | Level-3 |
| Electromagnetic Field | IEC 61000-4-3 | Level-3 |
| Surge | IEC 61000-4-5 | Level-3 |
| Conducted RF | IEC 61000-4-6 | Level-2 |
| Rated Power Frequency | IEC 61000-4-8 | Level-4 |
| Voltage Dip / Short Interruptions | IEC 61000-4-11 | Level-3 |
| Conducted Emissions | CISPR-11 | Class-B |
| Rated Emissions | CISPR-22 | Class-A |
| Emission & Immunity | IEC 61326-1 | |
| Safety | IEC 61010-1 | |
| PFMF (Passing criteria) | IEC 61000-4-8 | Class A |

Ordering Information

| Product Code | Supply Voltage | Certification |
|-----------------|----------------|---------------|
| 800SD-2-230V | 230V AC | - |
| 800SD-2-230V-CE | 230V AC | CE |
| 800SD-2-110V | 110V AC | - |
| 800SD-2-415V | 230 to 450V AC | - |