



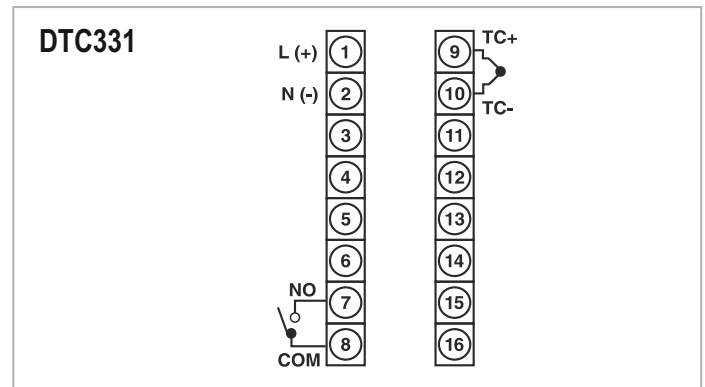
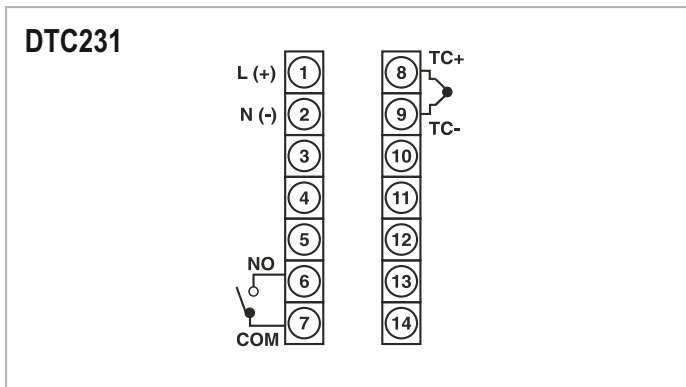
## Features :

- ▶ 3 digits, 7 segment LED single display
- ▶ TC (J, K) input
- ▶ ON - OFF control
- ▶ Single set point
- ▶ °C/°F selectable
- ▶ Control output: Relay
- ▶ Short depth

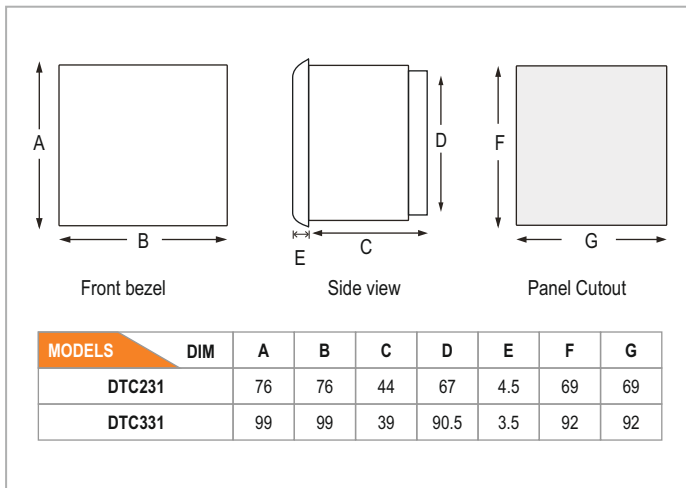
## Technical specifications

Display specifications	
Display	3 digits, 7 Segment LED single display
Height of display	13.5 mm
LED indication	R: Control output ON
Input specifications	
Inputs	Thermocouple (J, K)
Resolution	Fixed 1°
Indication accuracy	0.25% of F.S ±1 (20 min of warm up time)
Temperature unit	°C/°F selectable
Input filter (FTC)	0.2 to 10.0 sec
Sampling time	250 ms
Output specifications	
Relay contact (SPST)	Main Output: NO :10A 250 VAC/ 24 VDC NO/ NC: 5A/ 5A 250 VAC/ 24 VDC
Functional specifications	
Control action	ON-OFF control
Hysteresis width	0.1 to 99.9°
Display bias	- 19.9 to 19.9°
Auxiliary supply specifications	
Supply voltage	90 to 270 VAC/ DC (AC: 50/ 60Hz)
Power consumption	4 VA max
Environment specifications	
Temperature	Operating: 0°C to 50°C (32 to 122°F); Storage: - 20°C to 75°C (- 4 to 167°F)
Humidity (non - condensing)	95% RH
Mechanical specifications	
Mounting	Panel
Weight	180 gms

## Terminal connections



## Dimensions (All are in mm)



## Ordering information

Product Code	Output 1	Supply Voltage	Certification
DTC231	RELAY (10A)	90 to 270V AC / DC	---
DTC331	RELAY (10A)	90 to 270V AC / DC	---