



Features:

- Selable Terminal / Wire type Output
- Panel Mount
- Accuracy : Class 1 to 5

Input / Output Specifications

| | |
|------------------------|-------------|
| Rated primary rating | 30A to 600A |
| Rated secondary output | 5A |

Technical Specifications

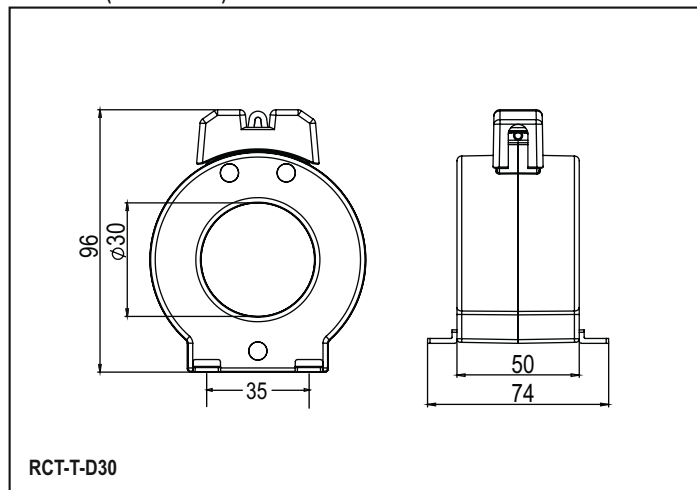
| | |
|--|--|
| Rated burden | 1.5VA to 5VA |
| Class of accuracy | 1 to 5 |
| Thermal Nominal Continuous Rated Current (I _{cth}) | 120% of I _n |
| Thermal short circuit current (I _{th}) | I _{th} =60 X I _n for 1 sec |
| Instrument security factor | FS<5 |
| Insulation class | B |
| Max operating voltage (U _m) | 720V maximum |
| Isolation test voltage | 3kV AC 1 min |
| Nominal rated frequency | AC 50Hz |
| Max. lugs size | 8mm |
| Frequency | 50/60Hz |

| | |
|----------------|-------------|
| Mounting modes | Panel Mount |
|----------------|-------------|

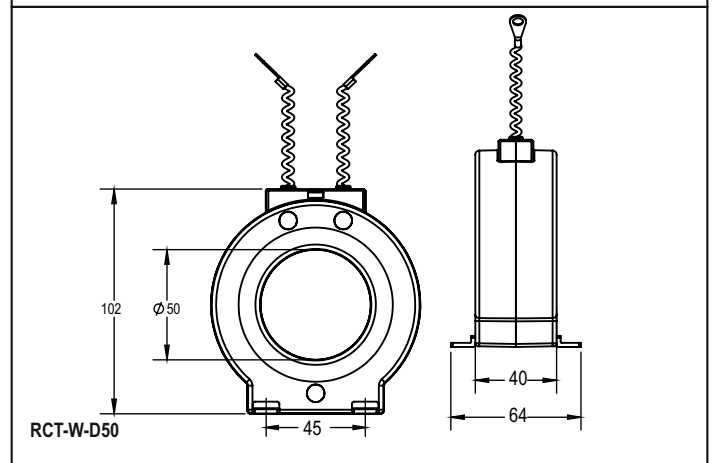
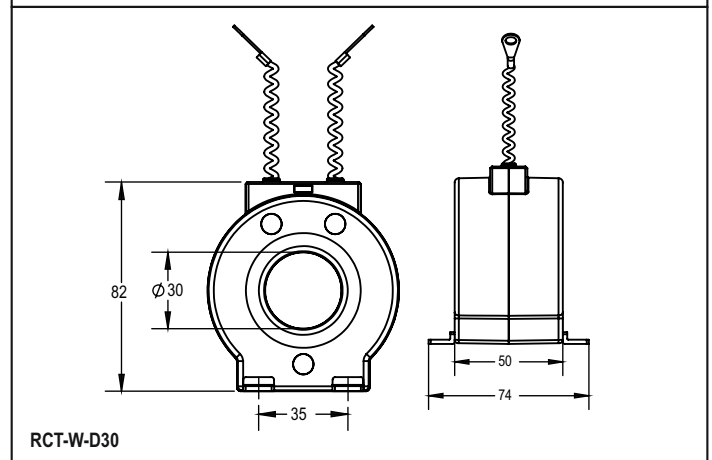
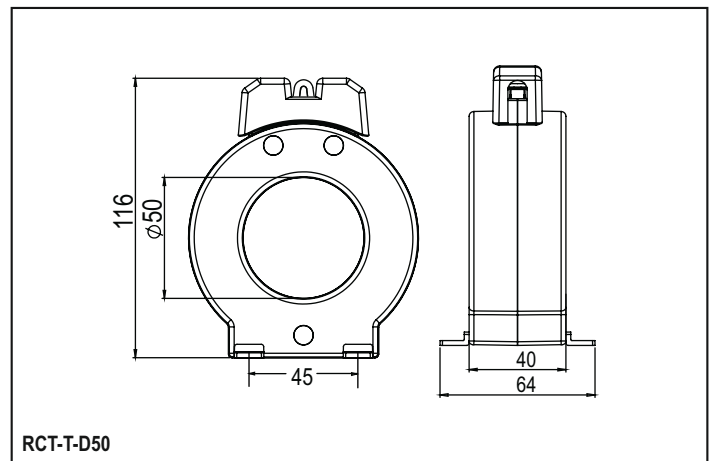
Standard

| | |
|---------------------|-------------|
| Applicable standard | IEC 61869-2 |
|---------------------|-------------|

Dimension (All are in mm)



Dimension (All are in mm)



Ordering Information

| PRODUCT CODE | WIRE APERTURE In mm | CURRENT RATIO | BURDEN IN VA | ACCURACY CLASS | NO OF PRIMARY TURNS |
|--------------------------------|------------------------|------------------|-----------------|-------------------|---------------------------|
| RCT-T-D30-30/5 A VA 1.5 CL5 | DIA 30 | 30/5 | 1.5 | 5 | --- |
| RCT-T-D30-30/5 A VA 5 (2T) CL5 | DIA 30 | 30/5 | 5 | 5 | 2 |
| RCT-T-D30-50/5 A VA 5 CL5 | DIA 30 | 50/5 | 5 | 5 | --- |
| RCT-T-D30-75/5 A VA 5 CL5 | DIA 30 | 75/5 | 5 | 5 | --- |
| RCT-T-D30-100/5 A VA 5 CL1 | DIA 30 | 100/5 | 5 | 1 | --- |
| RCT-T-D30-150/5 A VA 5 CL1 | DIA 30 | 150/5 | 5 | 1 | --- |
| RCT-T-D50-200/5 A VA 5 CL1 | DIA 50 | 200/5 | 5 | 1 | --- |
| RCT-T-D50-250/5 A VA 5 CL1 | DIA 50 | 250/5 | 5 | 1 | --- |
| RCT-T-D50-300/5 A VA 5 CL1 | DIA 50 | 300/5 | 5 | 1 | --- |
| RCT-T-D50-400/5 A VA 5 CL1 | DIA 50 | 400/5 | 5 | 1 | --- |
| RCT-T-D50-500/5 A VA 5 CL1 | DIA 50 | 500/5 | 5 | 1 | --- |
| RCT-T-D50-600/5 A VA 5 CL1 | DIA 50 | 600/5 | 5 | 1 | --- |
| RCT-W-D30-30/5 A VA 1.5 CL5 | DIA 30 | 30/5 | 1.5 | 5 | --- |
| RCT-W-D30-30/5 A VA 5 (2T) CL5 | DIA 30 | 30/5 | 5 | 5 | 2 |
| RCT-W-D30-50/5 A VA 5 CL5 | DIA 30 | 50/5 | 5 | 5 | --- |
| RCT-W-D30-75/5 A VA 5 CL5 | DIA 30 | 75/5 | 5 | 5 | --- |
| RCT-W-D30-100/5 A VA 5 CL1 | DIA 30 | 100/5 | 5 | 1 | --- |
| RCT-W-D30-150/5 A VA 5 CL1 | DIA 30 | 150/5 | 5 | 1 | --- |
| RCT-W-D50-200/5 A VA 5 CL1 | DIA 50 | 200/5 | 5 | 1 | --- |
| RCT-W-D50-250/5 A VA 5 CL1 | DIA 50 | 250/5 | 5 | 1 | --- |
| RCT-W-D50-300/5 A VA 5 CL1 | DIA 50 | 300/5 | 5 | 1 | --- |
| RCT-W-D50-400/5 A VA 5 CL1 | DIA 50 | 400/5 | 5 | 1 | --- |
| RCT-W-D50-500/5 A VA 5 CL1 | DIA 50 | 500/5 | 5 | 1 | --- |
| RCT-W-D50-600/5 A VA 5 CL1 | DIA 50 | 600/5 | 5 | 1 | --- |

For Ordering: e.g.200/5 ratio, VA 5, CL 1

Ordering code will be: RCT-T-D50-200/5 A VA 5 CL1

