



DIN 35mm

### Features :

- 6 digits for time display, 2 digits for step no.
- 30 ON - OFF steps per day
- Indications
  - Auto manual
  - Holiday
  - Relay status
  - Day of week
  - Programming mode
- 10 years power reserve (Lithium battery)

Certification :

### Display specifications

Display	Text LCD (Without backlight) 6 digits for time display, 2 digits for step no.
Character height	5.07mm (HH : MM) and 3.39mm (SS)
Indications (Through symbol)	Auto manual, Holiday, Relay status, Day of week, Programming mode

### Output specifications

No. of output	2
Relay contact	1 C/O SPDT
Contact rating	16A @ 250V AC

### Functional specifications

Operation period	1 week
Weekly program	Total 30 ON Steps and 30 OFF Steps
Minimum setting unit	1 second
Holiday settings	16 dates
Clock	12 - hr (AM / PM) and 24 - hr selection
Relay operating mode	Auto / Permanent override ON / Permanent override OFF
RTC accuracy	15 mins a year@25°C

### Auxiliary supply specifications

Supply voltage	230V AC $\pm 10\%$ (50 / 60 Hz)
Power consumption	Approx. 9 watts at 252 VAC

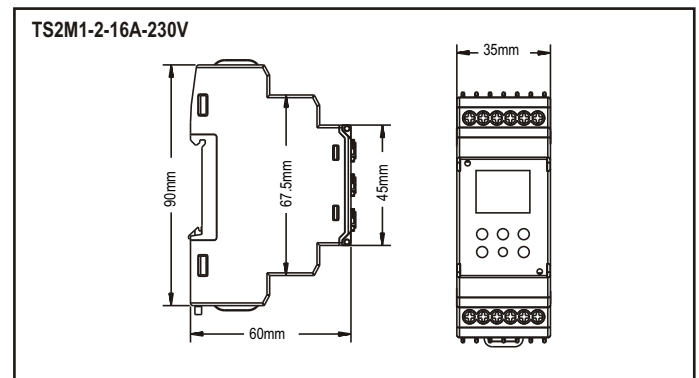
### Environmental specifications

Temperature	Operating : 0 to 50° C Storage : -20 to 70°C
Humidity (non - condensing)	Upto 95% RH

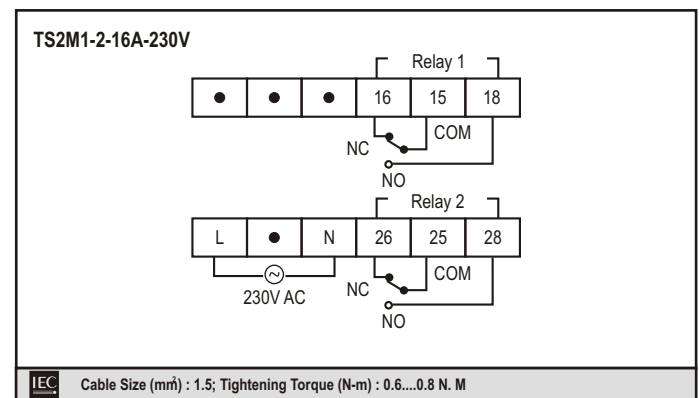
### Mechanical specifications

Mounting	DIN rail mount
Weight	105 g

### Dimensions



### Terminal connections



Compliance

Applicable EMI / EMC standards		
Product standard		
Category	Reference standards	Testing level
Electrostatic discharge	IEC 61000-4-2	Level-3
Electrical fast transient / Burst	IEC 61000-4-4	Level-3
Electromagnetic field	IEC 61000-4-3	Level-3
Surge	IEC 61000-4-5	Level-3
Conducted RF	IEC 61000-4-6	Level-2
Rated power frequency	IEC 61000-4-8	Level-4
Voltage dip / Short interruptions	IEC 61000-4-11	Level-3
Conducted emissions	CISPR-11	Class-B
Rated emissions	CISPR-22	Class-A
Emission & Immunity	IEC 61326-1	
Safety	IEC 61010-1	
PFMF (Passing criteria)	IEC 61000-4-8	Class A

Ordering information

Product code	Supply voltage	Certification
TS2M1-2-16A-230V	230V AC	CE