



96 x 96mm

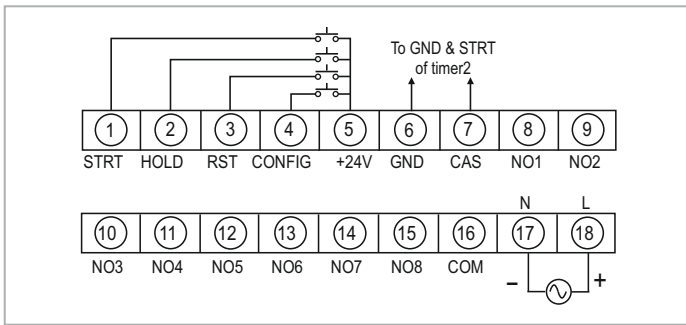
Features :

- ▶ 8 Channels
- ▶ On delay/ Interval/ Cyclic ON first/ Cyclic OFF first
- ▶ Parallel/ Sequential operation
- ▶ Cascade output for channel expansion
- ▶ Start, Hold input
- ▶ Start delay programmable
- ▶ Start, Hold input
- ▶ Start delay programmable
- ▶ 5 Time ranges
- ▶ Memory retention

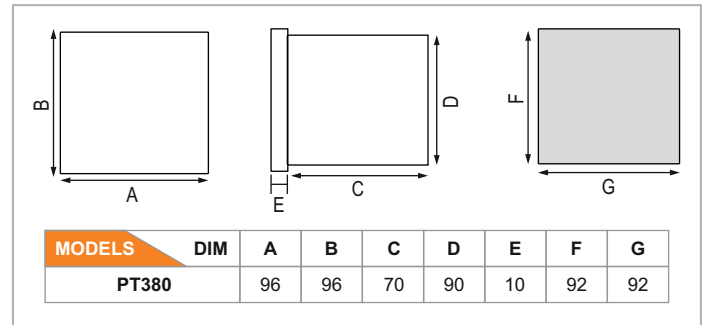
Technical specifications

Display specifications	
Display	4 digits for Timer, 2 digits for channel no.
LED indication	Relay ON, Cascade o/p, Time ranges, ON/ OFF time, Timing in progress
Input specifications	
Accuracy	± 0.5% of setting or 50ms, whichever is greater
Start input	Start, Hold
Output specifications	
Relay contact	8 nos., NO with single Common
Contact rating	5A @ 230 VAC
Functional specifications	
Modes	ON delay, Interval, Cyclic ON first, Cyclic OFF first (start up delay & no. of cycles programmable for cyclic mode)
Time ranges	0 - 99.99sec, 0 - 999.9sec, 0 - 99.59min: sec, 0 - 99: 59hr : min, 0 - 999.9hr
Resolution	0.01sec
Counting direction	Up
Set point	8
Time setting	Front keypad
Reset	Front, Remote, Power interruption
Memory retention	Yes
Configuration lock	via rear terminals
No of channels	8 channels
Auxiliary supply specifications	
Supply voltage	85 to 270 VAC/ DC (50 or 60 Hz)
Power consumption	3VA Max.
Environment specifications	
Temperature	Operating: 0 to 50°C Storage: - 5 to 50°C
Humidity (non - condensing)	95% RH
Mechanical specifications	
Mounting	Panel mount
Weight	420gms

Terminal connections

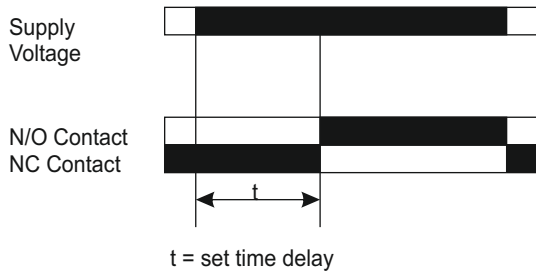


Dimensions (All are in mm)

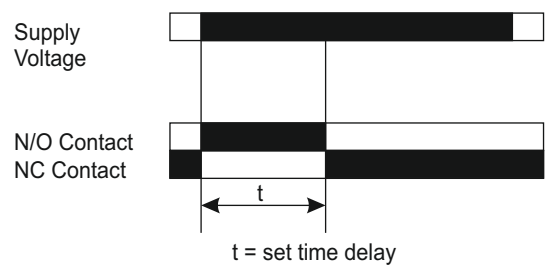


Timing diagrams

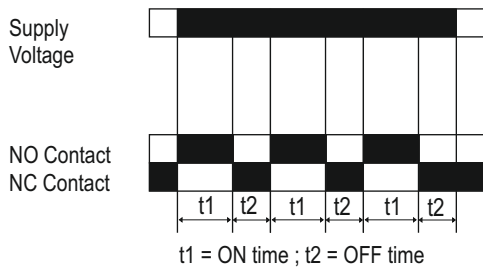
1. Function : ON delay



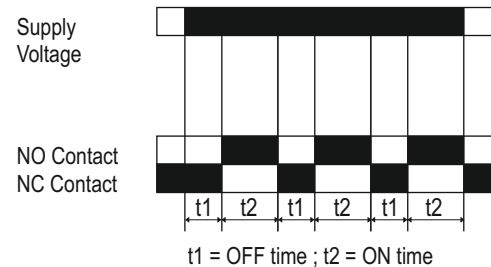
2. Function : Interval



3. Function : Cyclic ON First



4. Function : Cyclic OFF First



Ordering information

Product code	Supply voltage	Certification
PT380	85 to 270 VAC/ DC	---