



70 x 90 x 66.4mm

## Features :

- Windows based User Friendly Software For Ladder Programming & HMI Configuration
- RS485 based Communication with MODBUS RTU Protocol

### Display Specifications

Display	LED Indication for Power ON, I/O's & Communication Status
No. of Keys	NA

### Input Specifications

Digital Input	
No. of Digital Inputs	8
Input Type	PNP
Input Voltage Range	5 - 30V DC
Response Time	Typical 2 msec (Based on Ladder Scan time) & 100 µSec for Fast Input
Isolation	No
Debounce Time	0 to 255 msec (Default 10 msec)
Timer Accuracy	0.1% or 2 msec (Whichever is greater)
Fast Input	
No. of Channels	1
Frequency	5 kHz

### Output Specifications

Digital Output - Relay	
No. of Digital Outputs	5 (NO type with 2 COM points)
Contact rating	5A @ 240V AC (Resistive) 5A @ 28V DC (Resistive)
Isolation	No
Response Time	20 msec
Mechanical Life	30000 cycles

### Communication

Communication Port	RS485 [Slave]
Communication Protocol	MODBUS RTU
Connector	RJ25 (Slave)
Transmission Mode	Half Duplex
Transmission Speed	9600, 19200, 38400, 57600, 115200 bps
Parity	None, Odd, Even
Data Bits	8
Stop Bits	1 or 2
Settable Slave	1 - 255

### Functional Specifications

Programming Method	Windows Based Software for Ladder Programming and HMI Configuration.
Memory	Data Memory : 16 KB Code Memory : 112 KB EEPROM Memory : 1 KB
Max. no. of Objects	2000 (As per Memory)
Minimum Scan Time	200 µSec
Typical Scan Time	2 msec (Based on Ladder Scan Time)

### Environmental Specifications

Operating Temperature	0 to 55°C
Storage Temperature	-20 to 70°C
Humidity (Non Condensing)	10% to 95% RH

### Mechanical Specifications

Mounting	DIN Rail Mount
Weight	Approx 240 gms.

### Functional Features

Timer Operational Modes	On Delay, Off Delay, Pulse, Special [Up/Down] Timer, 1ms Timer*
Timer Resolution	1 mSec (Accurate only for 1ms Timer block)
Counter	Up Counter, Down Counter, Up/Down Counter, Special [Up/Down] Counter
Other Blocks	PIDT, Rampsoak
Memory Retention	10 years (1 KB)
RTC	NA

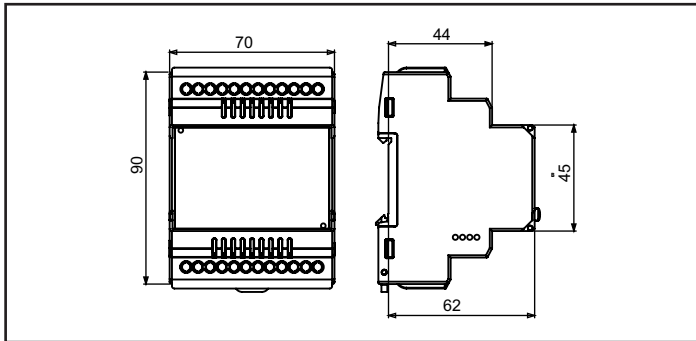
\*Usage limited to 4 No.s only

### Auxiliary Supply Specification

Supply Voltage	18 to 30V DC
Power Consumption	5W Max
Source	NA

VAR IN\_OUT &amp; VAR OUTPUT types Variables Maximum Retention 25 variables only each of 32 bit @ 24VDC

### Dimensions (All dimensions are in mm)



### Port Description

Port 1 (6 Pin Jack)	
Pin	Description
1	RS485 + ve
2	NC
3	NC
4	NC
5	NC
6	RS485 - ve

### Ordering Information

Product Code	Description	Certification
DIGIX-1-0-0-24VDC-B	PLC – 8DI, 5RO & 24VDC – Without Display	CE RoHS in Process

### Accessories (to be ordered separately)

Downloading Cable	AC-USB-RS485-03
Networking	ACH-004 (RJ25 Cable)
	AC-IOEXP-03 (Expansion Adapter)
	AC-USB-RS485-02 (USB to RS485 Cable)

