



48 x 48mm

Features :

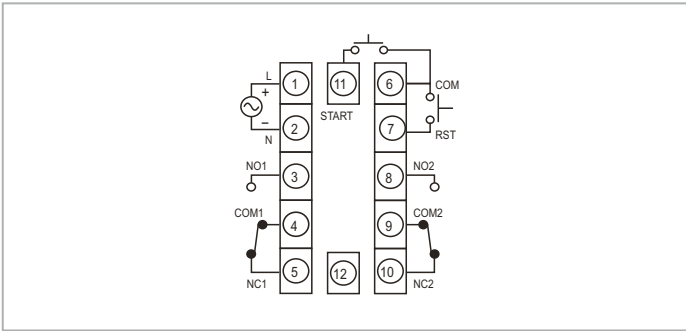
- ▶ Single set point
- ▶ LED Indications: Relay ON, Seconds, Minutes, Hours
- ▶ 3 digits, 7 segment LED, Dual Display

Certifications:  

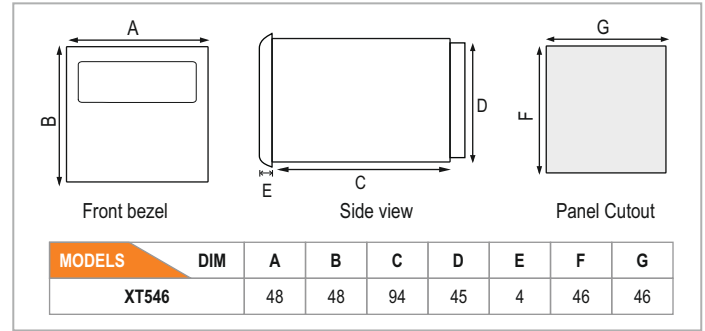
Technical specifications

Display specifications	
Display	3 digits, 7 segment LED, Dual display Height of Upper Display: 0.3785" Height of Lower Display: 0.2720"
LED indication	Relay ON, Hr/ Min/ Sec
Input specifications	
Accuracy	Setting: $\pm 0.05\%$ of set time or 50msec ; Repeat: $\pm 0.05\%$
Start input	Gate/ Pulse (Programmable)
Output specifications	
Contact rating	Relay: NO: 10A 250 VAC/ 24 VDC NO/ NC: 5A/ 5A 250 VAC/ 24 VDC
Relay contact	2X SPDT
Functional specifications	
Modes	ON delay, Interval, Cyclic ON first, Cyclic OFF first
Time ranges	0 - 9.99sec, 0 - 99.9sec, 0 - 999sec, 0 - 9: 59min: sec , 0 - 99.9min, 0 - 999min, 0 - 9:59hr: min , 0 - 99.9hr, 0 - 999hr
Resolution	0.01sec
Counting direction	Down
Set point	1
Time setting	By keys on front panel
Reset	Front, Remote, On power interruption (programmable)
Memory retention	Yes (selectable)
Configuration lock	Yes
Auxiliary supply specifications	
Supply voltage	85 to 270V AC (50 / 60Hz) - 15% to 10% tolerance
Power consumption	4VA max
Environment specifications	
Temperature	Operating: 0 to 50°C (32 to 122°F) Storage: - 20 to 75°C (- 4 to 167°F)
Humidity (non - condensing)	95% RH
Mechanical specifications	
Mounting	Panel mount
Weight	142gms

Terminal connections

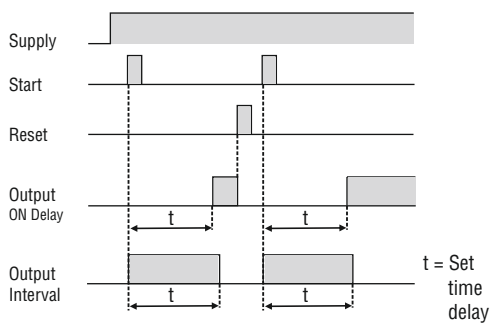


Dimensions (All are in mm)

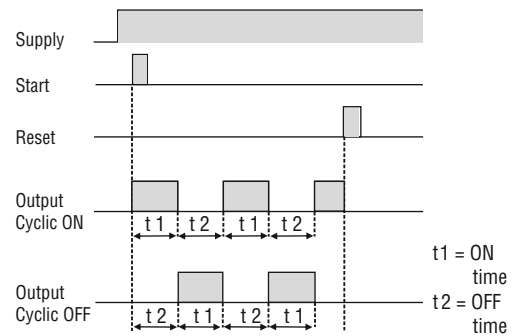


Timing diagram

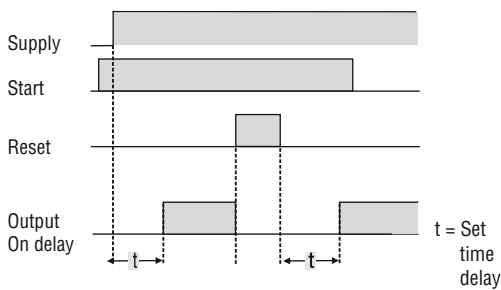
1. On delay, Interval modes:



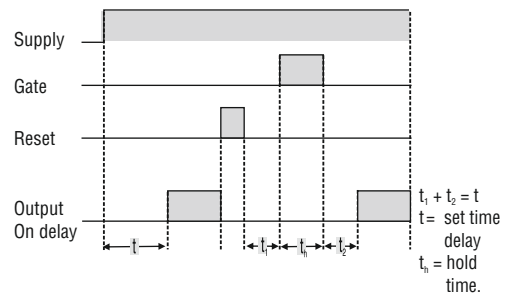
2. Cyclic ON first, Cyclic OFF first modes:



3. Typical application of Continuous start and reset in On delay mode:



4. Typical application of Gate start



Compliance

Applicable EMI / EMC Standards		
Product Standard		
Category	Reference Standards	Testing Level
Electrostatic Discharge	IEC 61000-4-2	Level-3
Electrical Fast Transient/ Burst	IEC 61000-4-4	Level-3
Electromagnetic Field	IEC 61000-4-3	Level-3
Surge	IEC 61000-4-5	Level-3
Conducted RF	IEC 61000-4-6	Level-2
Rated Power Frequency	IEC 61000-4-8	Level-4

Applicable EMI / EMC Standards		
Product Standard		
Category	Reference Standards	Testing Level
Voltage Dip / Short Interruptions	IEC 61000-4-11	Level-3
Conducted Emissions	CISPR-11	Class-B
Rated Emissions	CISPR-22	Class-A
Emission & Immunity	IEC 61326-1	
Safety	IEC 61010-1	
PfMF (Passing criteria)	IEC 61000-4-8	Class A

Ordering information

Product code	Supply voltage	Certification
XT546	85 to 270 VAC	---
XT546-CE	85 to 270 VAC	CE
XT546-24V	24 VDC	---