



36 x 72mm

Features :

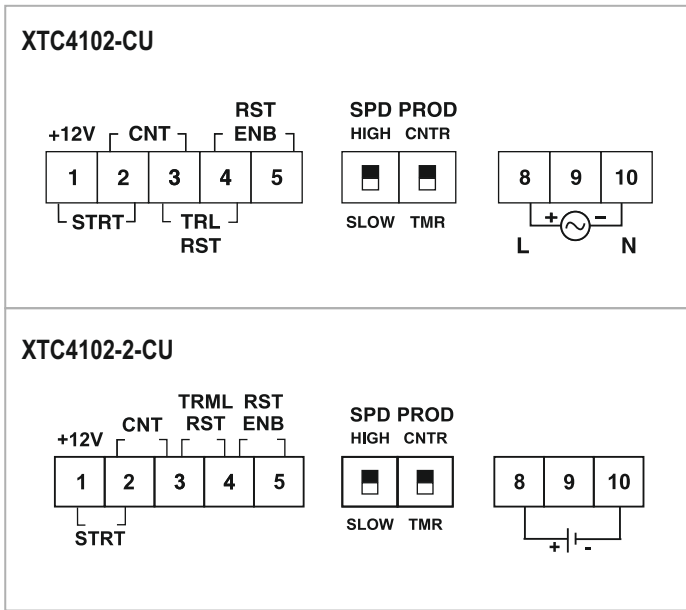
- ▶ 6 digits time / Count totaliser
- ▶ 7 segment white LED display
- ▶ Inbuilt sensor supply
- ▶ Compact size
- ▶ Selectable least count

Certifications :   

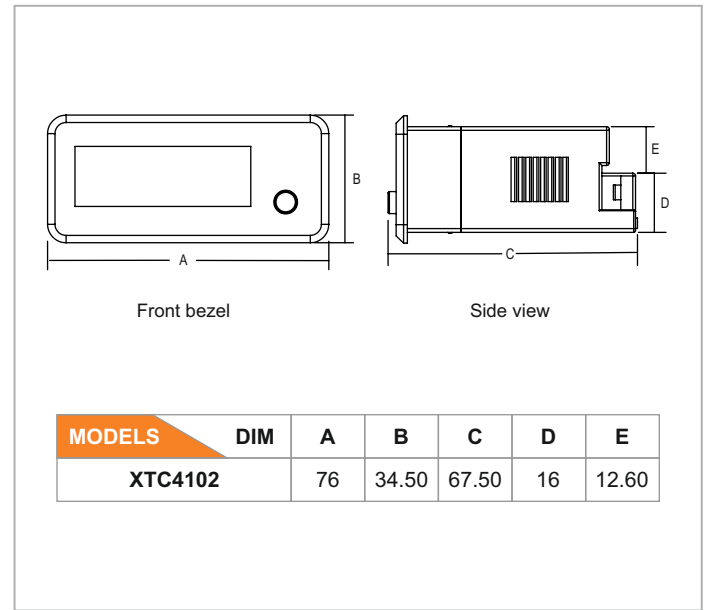
Technical specifications

Display specifications	
Display	6 digits, 7 segment white LED display
Input specifications	
Sensor type	NPN / PNP
Input type	Counter : 5 to 30V DC from proximity switches, Encoders, Potential free contacts, Limit switches etc. Timer : Potential free contact
Input speed	For Counter only : 1) 20Hz (DIP 1 ON) 2) 5KHz (DIP 1 OFF)
Accuracy	Timer : $\pm 0.05\%$ Counter : ± 2 counts
Output specifications	
Sensor supply	Inbuilt, 12V DC @60mA
Functional specifications	
Ranges	Counter : 999999 counts Timer : a) 99999.9 sec, b) 999999 sec, c) 99999.9 min, d) 999999 min, e) 99999.9 hrs, f) 999999 hrs
Counting direction	Up
Reset	1. For counter - front panel reset key 2. For timer - short terminal 4 & 5
Memory retention	Yes
Auxiliary supply specifications	
Supply voltage	90 to 270V AC / DC 12 to 24V DC (optional)
Power consumption	5VA max.
Environmental specifications	
Temperature	Operating : 0 to 50°C (32 to 122°F) Storage : - 20 to 75°C (- 4 to 167°F)
Humidity (non - condensing)	95% RH
Mechanical specifications	
Mounting	Panel mount
Weight	140gms

Terminal connections



Dimensions (All are in mm)



Compliance

Applicable EMI / EMC Standards		
Product Standard : IEC 61326-1		
Category		Standards Compliance
ESD Immunity	IEC 61000-4-2	Level III
Surge Immunity	IEC 61000-4-5	+/- 2 kV common mode, +/- 1 kV differential mode
Radiated Susceptibility	IEC 61000-4-3	Level III, 80 to 1000MHz Level II, 1.4GHz to 2GHz Level I, 2GHz to 2.7GHz
Conducted Susceptibility	IEC 61000-4-6	Level II

Applicable EMI / EMC Standards		
Product Standard : IEC 61326-1		
Category		Standards Compliance
Voltage Dips and Interruptions	IEC 61000-4-11	Dips : 0% residual voltage / 1 cycle (Criteria B), 40% residual voltage / 10 cycles 50Hz / 12 cycles 60Hz (Criteria C) 70% residual voltage / 25 cycles 50Hz / 30 cycles 60Hz (Criteria C) Interruptions : 0% residual voltage / 250 cycles 50Hz / 300 cycles 60Hz (Criteria C)
Conducted Emission	CISPR-11	Class A (150KHz to 30MHz)
Radiated Emission	CISPR-11	Class A (30MHz to 1GHz)
Electrical Fast Transient	IEC 61000-4-4	Level III

Ordering information

Product code	Supply voltage	Certification
XTC4102-2-CU	12 to 24 VDC	CE
XTC4102-CU	90 to 270 VAC/ DC	CE