



**Features :**

- Panel Mount
- Accuracy : Class 1.0
- Input Current Ranges : 160A, 250A, 630A
- Rectangular Window Type

**Input / Output Specifications**

Rated Primary Current	160A, 250A, 630A
Rated Secondary Output	1A

**Technical Specifications**

Rated Burden	1VA
Class of Accuracy	1
Overload Current Continuous	120% of In Rated Current
System Voltage (Um)	720V max
Dielectric with Stand Voltage	3kV AC for 1 min
Nominal Rated Frequency	50 / 60Hz

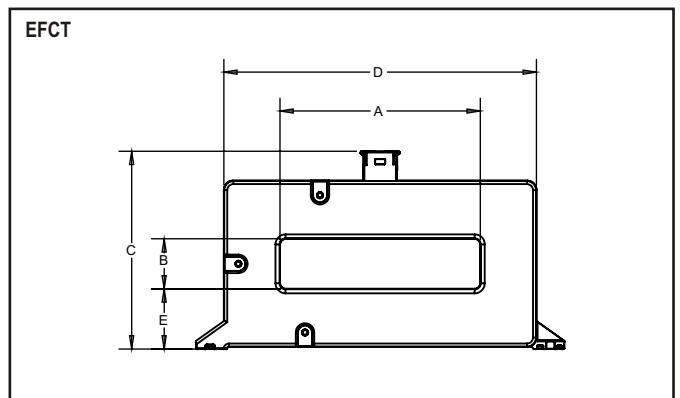
**Environmental Specifications**

Temperature	0° to +50°C
Humidity (non condensing)	< 95% RH
Storage Temperature	-5° to +70°C

**Mechanical Specification**

Mounting	Panel
----------	-------

**Dimension (in mm)**



EFCT TYPE	Dimensions (mm)				
	A	B	C	D	E
EFCT 100X25	100	25	100	156	30
EFCT 140X35	140	35	114	201	32
EFCT 180X35	180	35	109	236	30
EFCT 220X50	220	50	128	276	32

**Ordering Information**

Product Code	Dimenssion in mm	Current Transformer Ratio
EFCT 100/25 160/1A VAL CL1	100 x 25	160/1A
EFCT 140/35 160/1A VAL CL1	140 x 35	160/1A
EFCT 140/35 250/1A VAL CL1	140 x 35	250/1A
EFCT 180/35 250/1A VAL CL1	180 x 35	250/1A
EFCT 180/35 630/1A VAL CL1	180 x 35	630/1A
EFCT 220/50 630/1A VAL CL1	220 x 50	630/1A