



DIN 35mm

## Features :

- 3Ø - 3 Wire, 3Ø - 4 Wire Input
- Monitors Under Voltage, Over Voltage, Under Frequency, Over Frequency, Phase Asymmetry, Phase Failure and Phase Sequence
- True RMS Measurement
- Power ON delay, Trip time delay and Recovery time delay
- Adjustable switching hysteresis
- Two separate alarm relays

### Display Specifications

Type	Digital
Display	Liquid Crystal Display
No of LED	3
No of Push Button	3

### LED Indication

LED1 (Green)	Power ON
LED2 (Red)	Relay1 (Continuously ON after trip)
LED3 (Red)	Relay2 (Continuously ON after trip)

### Input Specifications

<b>Functions</b>	
Measurements	Under voltage, Over voltage, Under frequency, Over frequency, Phase asymmetry, Phase failure and Phase sequence
Time Setting	Power ON delay, Trip time delay and Recovery time delay
Alarm Indications	Trip
Latching	Selectable
Reset	Auto / Manual
Electrical Connection	3Ø - 3 wire, 3Ø - 4 wire
<b>Measuring Range</b>	
(RMS Value)	280 to 600V AC (L - L) [for 3Ø - 3 wire] 160 to 300V AC (L - N) [for 3Ø - 4 wire]
<b>Trip Settings</b>	
Under Voltage	280 to 600V AC (L - L) [for 3Ø - 3 wire] 160 to 300V AC (L - N) [for 3Ø - 4 wire]
Over Voltage	280 to 600V AC (L - L) [for 3Ø - 3 wire] 160 to 300V AC (L - N) [for 3Ø - 4 wire]
Under Frequency	45 - 65Hz
Over Frequency	45 - 65Hz
Phase Failure	Yes
Phase Sequence	Yes
Phase Asymmetry	5.0 - 99.9%

### Trip Time Settings

Power ON Delay	2 - 99.9sec
Trip Time Delay	0 - 99.9sec
Recovery Time Delay	0 - 99.9sec
Response Time	< 200ms

### Hysteresis

Voltage	1.0 - 99.9V
Frequency	0.2 - 2Hz
Asymmetry	2 - 20%

### Resolution

Voltage	1V
Frequency	0.1Hz

### Accuracy

Voltage	±1% of set value
Frequency	±0.3Hz
Time Setting Accuracy	±5% of setting ±200ms

### Output Specifications

No. of Relays	2
Type of output (Relay1)	1C / O (SPDT)
Type of output (Relay2)	1C / O (SPDT)
Relay Rating	NO / 5A @ 250V AC NC / 3A @ 250V AC (res)

### Auxiliary Supply Specifications

Supply Voltage	Self powered
Operating Range	280 - 600V AC (L - L) 160 - 300V AC (L - N)
VA Rating	30VA max.
Frequency	45 - 65Hz

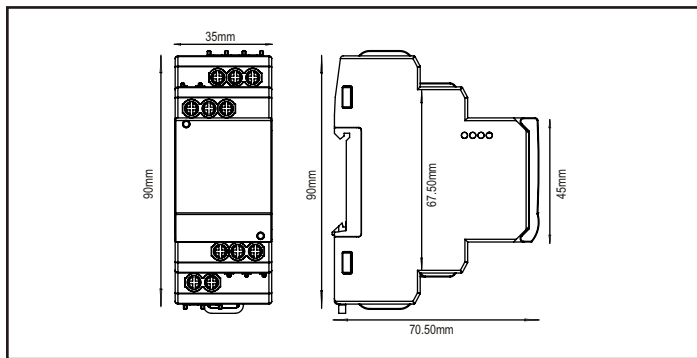
### Environmental Specifications

Temperature	Operating Temperature : 0°C to 55°C Storage Temperature : -20°C to +70°C
Humidity (non-condensing)	95% RH
Pollution Degree	
For PCB	2
For Product	3
Degree of protection	IP20

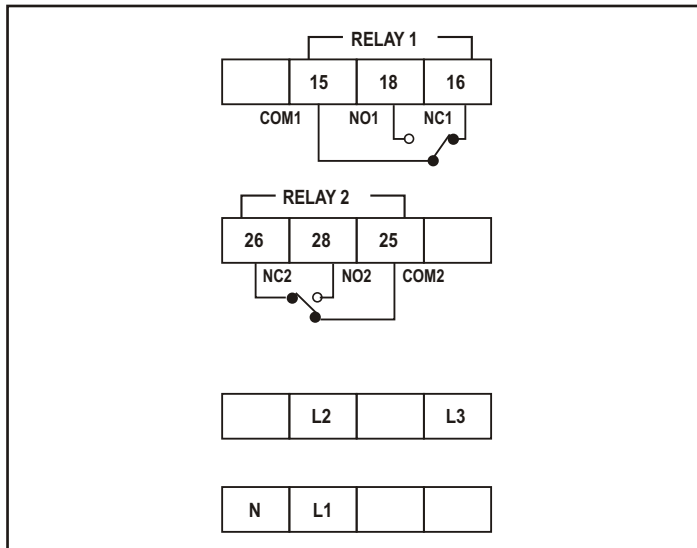
### Mechanical Specifications

Mounting	Din Rail
Weight	135 g
Conductor cross section (Solid)	1 x (0.5 to 4)Sq.mm
Conductor cross section sleeved (Stranded)	2 x (0.5 to 1.5)Sq.mm 1 x (0.5 to 2.5)Sq.mm
Screw tightening torque	0.5 NM

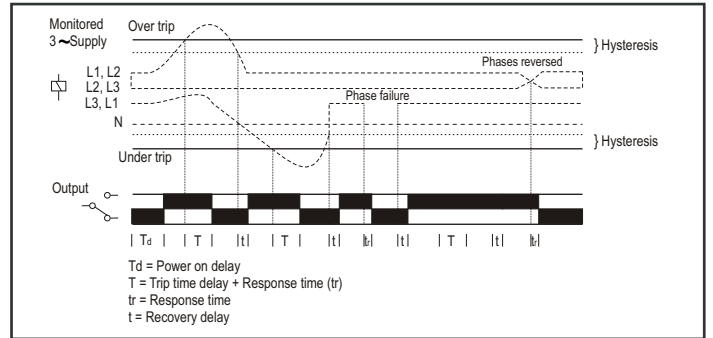
### Dimensions



### Terminal Connections



### Timing Diagram



### Ordering Information

Product Code	Operating Range	Certification
900VPR-2-300/600V	300-600V AC	—