



48 x 96mm

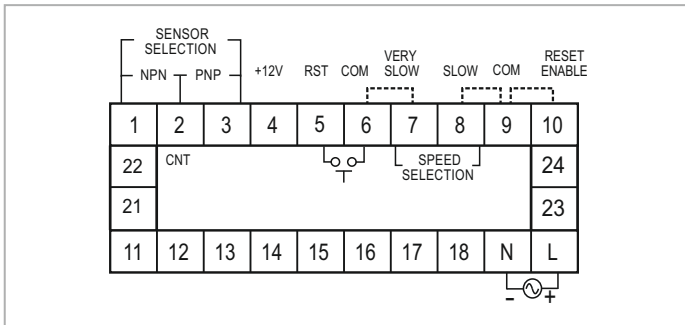
Features :

- ▶ 6 digits, 7 segment LED Totaliser
- ▶ Compact Size
- ▶ Inbuilt Sensor Supply

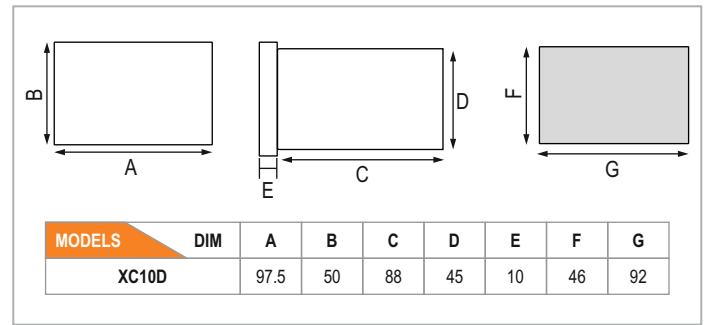
Technical specifications

Display specifications	
Display	6 digits, 7 segment LED Totaliser
Input specifications	
Sensor type	NPN/ PNP
Input type	Voltage pulse (3 to 30 VDC) from Proximity switches, Solid state devices, Potential free contact encoder
Input speed	a) 3Hz b) 30Hz c) 1kHz
Output specifications	
Sensor supply	Inbuilt, 12 VDC, 30mA
Functional specifications	
Range	999999 counts
Counting direction	Up
Memory retention	Yes
Reset	Front, Remote
Auxiliary supply specifications	
Supply voltage	90 to 270 VAC/ DC (50/ 60Hz) - 15% to 10% tolerance
Power consumption	5VA max
Environment specifications	
Temperature	Operating: 0 to 50°C Storage: - 5 to 50°C
Humidity (non - condensing)	95% RH
Mechanical specifications	
Mounting	Panel mount
Weight	60gms

Terminal connections



Dimensions (All are in mm)



Ordering information

Product code	Supply voltage	Certification
XC10D	90 to 270 VAC/ DC	----