



48 x 48mm

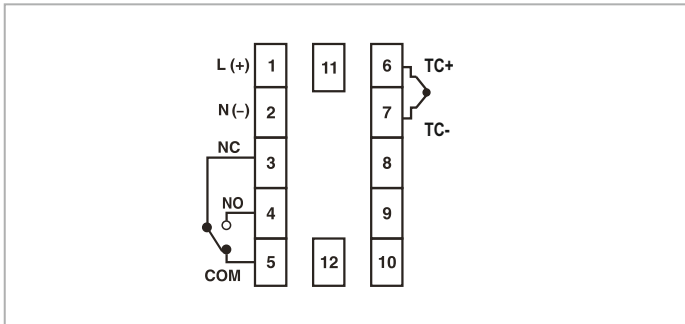
Features :

- ▶ 3 Digits, 7 Segment LED single display
- ▶ J, K, TC input
- ▶ ON - OFF/ PID control
- ▶ Auto tuning
- ▶ Single set point
- ▶ °C/°F selectable
- ▶ Field selectable control output (Relay or SSR)

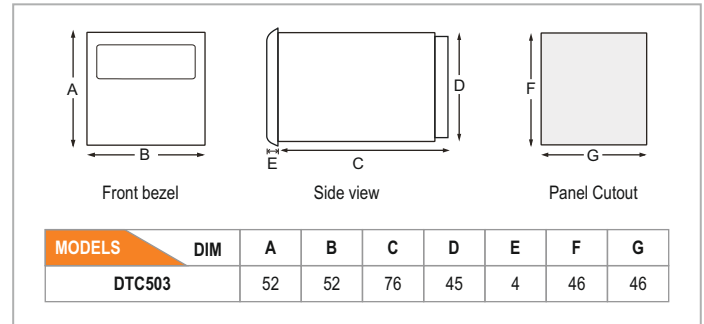
Technical specifications

Display specifications	
Display	3 digits 7 Segment LED dual display
Height of display	10 mm
LED indication	R: Control output ON
Input specifications	
Inputs	Thermocouple (J, K)
Resolution	Fixed 1°
Indication accuracy	For J, K & T inputs: 0.25% of F.S. ±1°C
Temperature unit	°C/°F selectable
Input filter (FTC)	0.2 to 10.0 sec
Sampling time	250 ms
Output specifications	
Relay contact (SPDT)	Main Output: NO: 10A 250 VAC/ 24 VDC NO/ NC: 5A/ 5A 250 VAC/ 24 VDC
Functional specifications	
Control action	1) PID Control 2) ON-OFF control
Proportional band (P)	1 to 400°C
Integral time (I)	0.0 to 99.9 min
Derivative time (D)	0 to 999 sec
Cycle time	0.1 to 99.9 sec
Hysteresis width	0.1 to 99.9°C
Manual reset value	- 19.9 to 19.9°C/°F
Auxiliary supply specifications	
Supply voltage	90 to 270 VAC/ DC (50/ 60Hz)
Power consumption	6 VA max @ 230 VAC
Environment specifications	
Temperature	Operating: 0°C to 50°C (32 to 122°F); Storage: 20°C to 75°C (- 4 to 167°F)
Humidity (non - condensing)	95% RH
Mechanical specifications	
Mounting	Panel
Weight	111 gms

Terminal connections



Dimensions (All are in mm)



Ordering information

Product code	Output	Supply voltage	Certification
DTC503	RELAY (10A)	90 to 270 VAC / DC	---