



DIN 22.5mm

### Features :

- Forward - Pause - Reverse Timer
- LED indications : Relay 1 ON, Relay 2 ON

### Display specifications

LED indications	Relay 1, Relay 2
-----------------	------------------

### Input specifications

Accuracy	Setting : $\pm 5\%$ of full scale. Repeat : $\pm 0.5\%$ or 50 ms whichever is greater
----------	--

### Output specifications

Relay contact	1 C/O each for Forward & Reverse
Contact rating	5A @ 250V AC / 24V DC, Resistive

### Functional specifications

Modes	Forward-Pause-Reverse
Time ranges	1 / 2 / 4 / 8min ( ON time) 10 / 20 / 40 / 80sec (Pause time)
Reset	On power interruption Reset time > 100msec

### Auxiliary supply specifications

Supply voltage	20 to 240V AC (50 / 60Hz) 12 to 240V DC
----------------	--

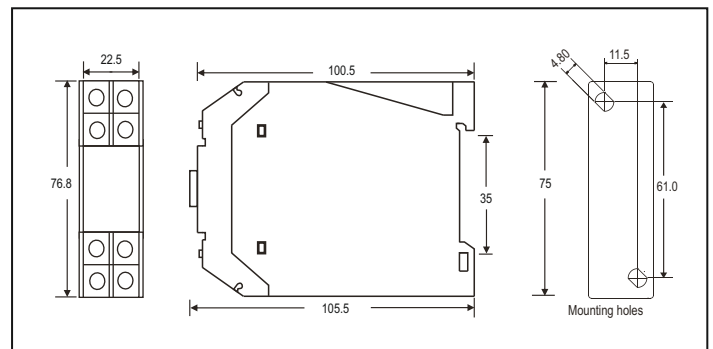
### Environmental specifications

Temperature	Operating : 0 to 50°C Storage : -20 to 75°C
Humidity (non - condensing)	95% RH

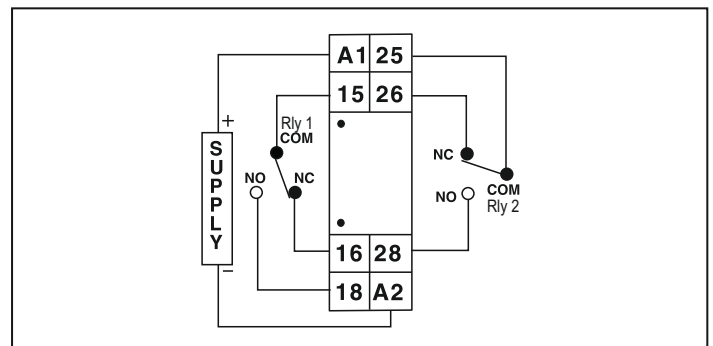
### Mechanical specifications

Mounting	DIN rail
Weight	100 gms

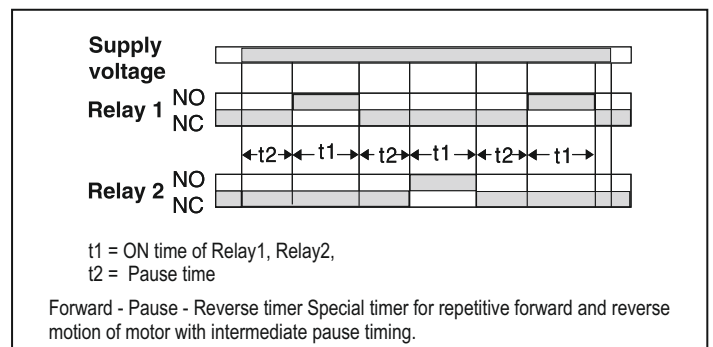
### Dimensions (All are in mm)



### Terminal connections



### Timing diagram



### Ordering information

Product code	Supply voltage	Certification
800XMR	20 to 240V AC 12 to 240V DC	---