



96 x 96mm

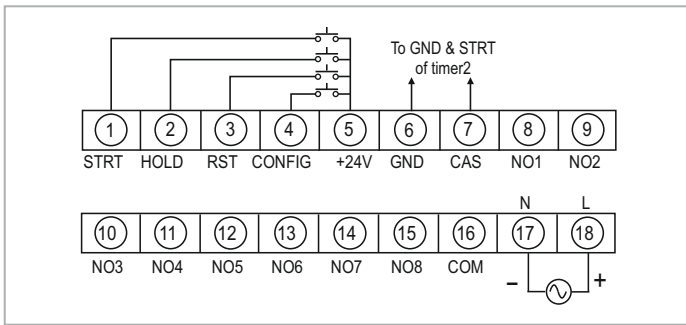
Features :

- ▶ 8 Channels
- ▶ On delay/ Interval/ Cyclic ON first/ Cyclic OFF first
- ▶ Parallel/ Sequential operation
- ▶ Cascade output for channel expansion
- ▶ Start, Hold input
- ▶ Start delay programmable
- ▶ Start, Hold input
- ▶ Start delay programmable
- ▶ 5 Time ranges
- ▶ Memory retention

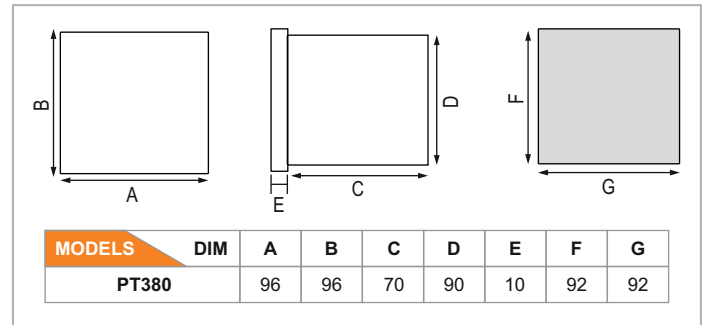
Technical specifications

| Display specifications | |
|---------------------------------|---|
| Display | 4 digits for Timer, 2 digits for channel no. |
| LED indication | Relay ON, Cascade o/p, Time ranges, ON/ OFF time, Timing in progress |
| Input specifications | |
| Accuracy | ± 0.5% of setting or 50ms, whichever is greater |
| Start input | Start, Hold |
| Output specifications | |
| Relay contact | 8 nos., NO with single Common |
| Contact rating | 5A @ 230 VAC |
| Functional specifications | |
| Modes | ON delay, Interval, Cyclic ON first, Cyclic OFF first (start up delay & no. of cycles programmable for cyclic mode) |
| Time ranges | 0 - 99.99sec, 0 - 999.9sec, 0 - 99.59min: sec, 0 - 99: 59hr : min, 0 - 999.9hr |
| Resolution | 0.01sec |
| Counting direction | Up |
| Set point | 8 |
| Time setting | Front keypad |
| Reset | Front, Remote, Power interruption |
| Memory retention | Yes |
| Configuration lock | via rear terminals |
| No of channels | 8 channels |
| Auxiliary supply specifications | |
| Supply voltage | 85 to 270 VAC/ DC (50 or 60 Hz) |
| Power consumption | 3VA Max. |
| Environment specifications | |
| Temperature | Operating: 0 to 50°C Storage: - 5 to 50°C |
| Humidity (non - condensing) | 95% RH |
| Mechanical specifications | |
| Mounting | Panel mount |
| Weight | 420gms |

Terminal connections

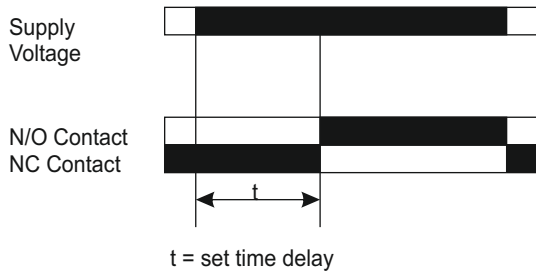


Dimensions (All are in mm)

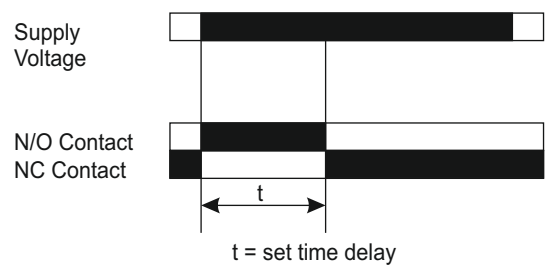


Timing diagrams

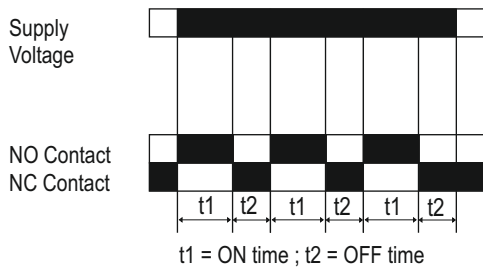
1. Function : ON delay



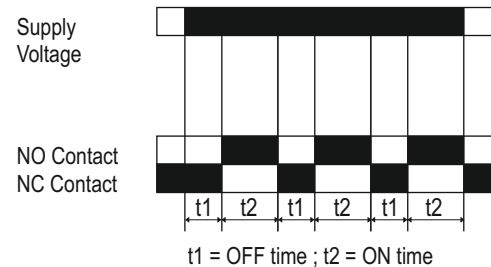
2. Function : Interval



3. Function : Cyclic ON First



4. Function : Cyclic OFF First



Ordering information

| Product code | Supply voltage | Certification |
|--------------|-------------------|---------------|
| PT380 | 85 to 270 VAC/ DC | --- |