

133 x 87 x 78mm

Features :

- ERLYMD-2-1-S8-1CO-24V is a Module used in conjunction with any PLC (With RS485 Master Communication)
- Up to 7 number of such Modules can be connected to a Master PLC
- Four Baudrate selections 9600, 19200, 38400, 57600 bps (User Configurable)
- Seven Slave ID selection 1 to 7 (User Configurable)
- Default Baudrate 19200 bps and slave ID 1
- 12 LED Indicators
- Five way DIP switch for Slave ID & Baudrate selection

| | |
|----------------------|--|
| Contacts | 1 Change Over |
| No. of Channels | 8 |
| RELAY | |
| Operate (Set) time | 15ms max |
| Release (Reset) time | 5ms max |
| Endurance | Mechanical : 10000000 ops Electrical : 100000 ops |
| Dielectric Strength | Coil to contact : 5000VAC for 1 minute Open contacts : 1000VAC for 1 minute |
| Contact rating | 10A@277VAC / 30VDC |
| Mounting | 35 mm DIN Rail |

LED Display

| LED Name | LED COLOR | INDICATION |
|-------------------|-----------|---|
| Power LED (PWR) | Green | Always ON when Device is powered |
| Receive LED (Rx) | Green | Blinks when receives Command from Master |
| Transmit LED (Tx) | Red | Blinks when transmits response to Master |
| Status LED (Stat) | Red | Will turn OFF if no command received within 10 secs |
| | | Flashes for 500ms ON, 500ms OFF when SID = 0 (hardware setting), Module is disabled |

Environmental Specifications

| | |
|---------------------------|---------------------------|
| Temperature | Operating : -40 to 70°C |
| Humidity (non-condensing) | 98% RH |
| Weight | 328.8gms |
| Dimensions (in mm) | 133 x 87 x 78 (W x H x D) |

Communication

| | |
|------------------------|---|
| Communication Port | RS485 Slave |
| Connector | Screw Terminal Port |
| Communication Protocol | Modbus RTU Protocol |
| Baud Rate | 9600, 19200, 38400, 57600 bps (User Configurable), Default 19K2 |
| Fixed Settings | Parity (None), Stop bits = 1, Data Length = 8 |
| Coil Address | Starting from 0 to 7 |

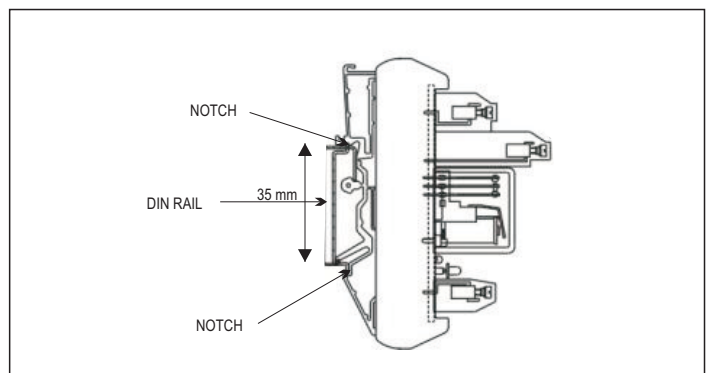
DIP SWITCH SELECTION

| Slave ID | DIP SWITCH | | | | |
|-----------------------|------------|-----|-----|-----|-----|
| | 1 | 2 | 3 | 4 | 5 |
| NA | X | X | OFF | OFF | OFF |
| 1 | X | X | OFF | OFF | ON |
| 2 | X | X | OFF | ON | OFF |
| 3 | X | X | OFF | ON | ON |
| 4 | X | X | ON | OFF | OFF |
| 5 | X | X | ON | OFF | ON |
| 6 | X | X | ON | ON | OFF |
| 7 | X | X | ON | ON | ON |
| Baudrate (bps) | | | | | |
| 9600 | OFF | OFF | X | X | X |
| 19200 | OFF | ON | X | X | X |
| 38400 | ON | OFF | X | X | X |
| 57600 | ON | ON | X | X | X |

Supply Specifications

| | |
|----------------|-------------|
| Supply Voltage | 18 - 30 VDC |
|----------------|-------------|

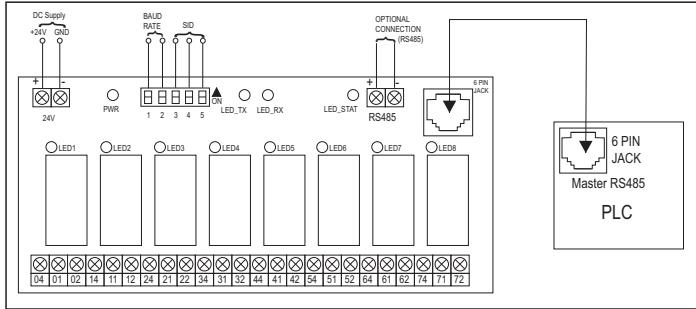
Dimensions (in mm)



TERMINAL CONNECTIONS

| | | | | | | | | | | | | | | | | | | | | | | | |
|-----|----|-----|-----|----|-----|-----|----|-----|-----|----|-----|-----|----|-----|-----|----|-----|-----|----|-----|-----|----|-----|
| 04 | 01 | 02 | 14 | 11 | 12 | 24 | 21 | 22 | 34 | 31 | 32 | 44 | 41 | 42 | 54 | 51 | 52 | 64 | 61 | 62 | 74 | 71 | 72 |
| 1NO | 1C | 1NC | 2NO | 2C | 2NC | 3NO | 3C | 3NC | 4NO | 4C | 4NC | 5NO | 5C | 5NC | 6NO | 6C | 6NC | 7NO | 7C | 7NC | 8NO | 8C | 8NC |

WIRING DETAILS



Port Description

| Port 1 (6 Pin Jack) | |
|---------------------|-------------|
| Pin | Description |
| 1 | RS485 + ve |
| 2 | NC |
| 3 | NC |
| 4 | NC |
| 5 | NC |
| 6 | RS485 - ve |

Ordering Information

| Product Code | Description | Certification |
|-----------------------|--|--------------------|
| ERLYMD-2-1-S8-1CO-24V | Relay Module – 8 Channel 1 Change Over, Communication based | CE RoHS in Process |