

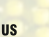




48 x 48 mm

## Features :

- ▶ Dual Display, 4 digits, 7 segment LED
- ▶ LED Indication: Relay1, Relay2, Seconds, Minutes, Hours
- ▶ 2 Set points
- ▶ Programmable input scaling
- ▶ Down counting for timer, Up/ Down counting for counter
- ▶ Batch counting

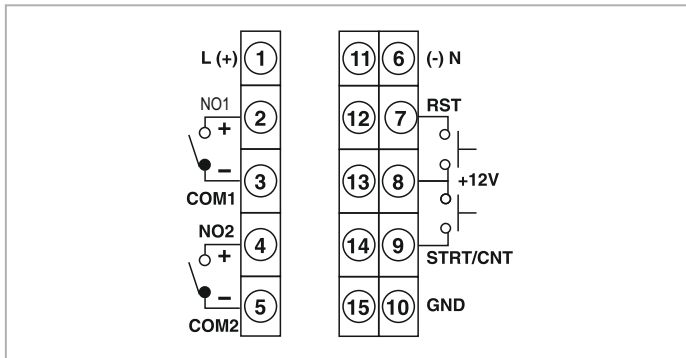
Certifications:   

## Technical specifications

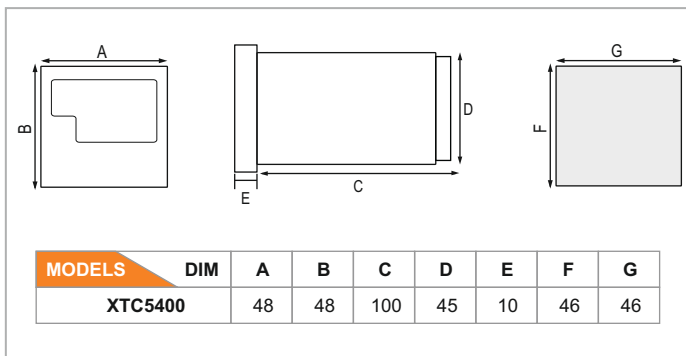
Display specifications	
Display	4 digits, 7 segment LED
LED indication	Relay1, Relay2, Seconds, Minutes, Hours
Input specifications	
Sensor type	NPN / PNP
Input type	Voltage pulse (3 to 30 VDC) from Proximity switches, Solid state devices, Potential free contact encoder
Input speed	a) 3Hz b) 30Hz c) 5kHz
Accuracy	Timer: $\pm 0.05\%$ of setting or 50 ms whichever is greater Counter: $\pm 2$ counts
Output specifications	
Sensor supply	Inbuilt, 12 VDC, 30mA (short circuit protected)
Relay contact	2 C/O SPST
Contact rating	5A @ 230 VAC
Functional specifications	
Modes	Timer: ON delay, Interval, Cyclic ON first, Cyclic OFF first, Batch Counter: ON delay, Interval, Auto reset, Time pulse repeat, Batch
Ranges	Timer: 0 - 99.99/ 0 - 999.9/ 0 - 9999sec 0 - 99.59min: sec, 0 - 999.9/ 0 - 9999min 0 - 99.59hr: min, 0 - 999.9/ 0 - 9999hr Counter: - 999 to 9999 counts
Resolution	0.01sec
Counting direction	Timer: Down; Counter: Up/ down
Set point	2
Scale factor	0.001 to 9.999 x 10n
Reset	Front, Remote, Power interruption
Memory retention	Yes
Configuration lock	Password protected
Auxiliary supply specifications	
Supply voltage	90 to 270 VAC/ DC (50/ 60Hz) -15% to 10% tolerance
Power consumption	5VA Max.

Environment specifications	
Temperature	Operating : 0 to 50°C (32 to 122°F) Storage : - 20 to 75°C (- 4 to 167°F)
Humidity (non - condensing)	95% RH
Mechanical specifications	
Mounting	Panel mount
Weight	170gms

## Terminal connections



## Dimensions



## Ordering information

Product code	Supply voltage	Certification
XTC5400	90 to 270 VAC/ DC	CE
XTC5400-CU	90 to 270 VAC/ DC	CE

## Compliance

Applicable EMI / EMC Standards		
Product Standard		
Category	Reference Standards	Testing Level
Electrostatic Discharge	IEC 61000-4-2	Level-3
Electrical Fast Transient / Brust	IEC 61000-4-4	Level-3
Electromagnetic Field	IEC 61000-4-3	Level-3
Surge	IEC 61000-4-5	Level-3
Conducted RF	IEC 61000-4-6	Level-2
Rated Power Frequency	IEC 61000-4-8	Level-4
Voltage Dip / Short Interruptions	IEC 61000-4-11	Level-3
Conducted Emissions	CISPR-11	Class-B
Rated Emissions	CISPR-22	Class-A
Emission & Immunity	IEC 61326-1	
Safety	IEC 61010-1	
PFMF (Passing criteria)	IEC 61000-4-8	Class A