



DIN 70mm

**Features :**

- 1Ø - 2 wire input
- Automatic start & stop as per water level detection (Float switch)
- Monitors Dry/Under Current, Over Current, Locked Current, Over Voltage, Under Voltage, Phase Failure and Overload
- LED indication : Power ON, Trip relay
- Test & Reset function via key & terminal
- Direct Current measurement upto 32A
- Capacitor cut off feature

**Display Specifications**

Display	3 Digits, 7 Segment LED display
No of LED	2 LED 1- Red LED for relay status indication LED 2- Green LED for pump status indication
No of keys	3 1- Set 2- Up / Test 3- Down / Reset

**Output Specifications**

Control output	2 NO relay
Relay rating	30A@277V AC

**Auxilliary Supply Specifications**

Operating voltage range	180 to 300V AC (L - N)
Power consumption	40VA
Frequency	50 - 60Hz

**LED Indication Chart**

Condition	Trip LED (Red)	'PUMP' LED (Green)
Healthy	OFF	OFF
Healthy & motor ON	OFF	ON
Fault present	ON	OFF

**Environmental Specifications**

Temperature	Operating temperature : 0°C to 55°C Storage temperature : -20°C to +70°C
Humidity (non-condensing)	Upto 95% RH

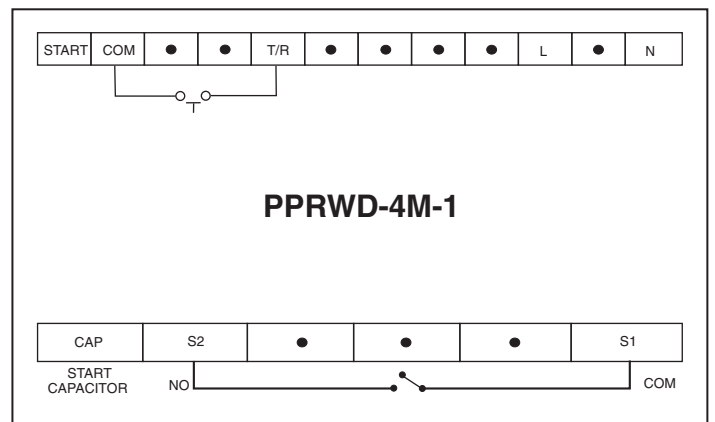
**Input Specifications**

<b>Measuring range</b>	
A) Motor Rated Current	1A to 30A
B) Voltage measuring range	180 to 300V AC (L - N)
<b>Time settings</b>	
Power ON delay	1sec (Fixed)
Trip time delay (Current & Voltage parameters)	0 - 999sec
Recovery time (Current & Voltage parameters)	1 - 999sec
Reset attempts	3 (fixed)
Reset Attempt Time Frame	1 - 999 mins
<b>Hysteresis</b>	
Voltage	0 - 10V (NA for current parameters)
<b>Accuracy</b>	
Current accuracy	±5% of rated current ±1 digit
Voltage accuracy	±1% of 300V ±1 digit
Time accuracy	±5% ±100msec
<b>Functional specification</b>	
Over load	NEMA class curve 5, 10, 15, 20, 30
Over current ranges	[I <sub>r</sub> (Rated current) + 1 to 32A]
Under current	[0.2A to I <sub>r</sub> (Rated current) - 1]
Locked current / Stall current	[I <sub>r</sub> (Rated current) + 1 to 32A]
Over voltage	180 - 300V AC (L - N)
Under voltage	180 - 300V AC (L - N)

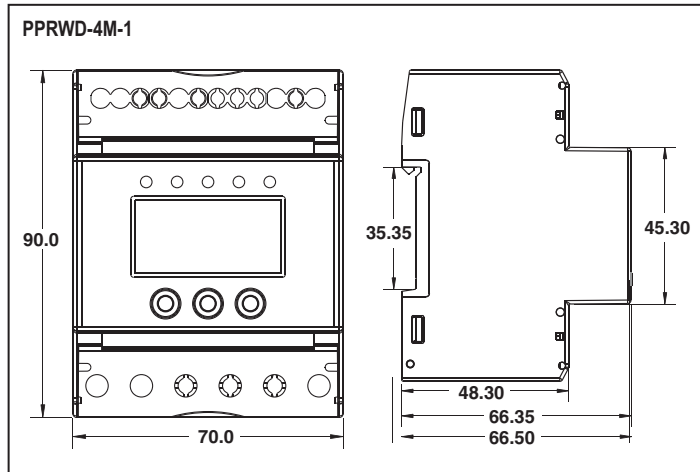
**Mechanical Specifications**

Mounting	DIN rail mount
Wire size (max)	4sq.mm
Size	66.50 x 70 x 90 x (H x W x L)
Screw tightening torque	0.5 NM
Weight	224 g approx

**Terminal Connections**



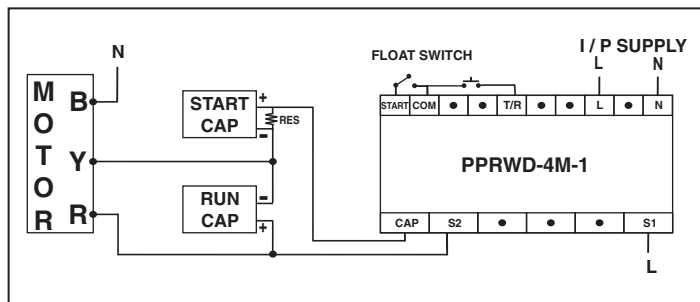
Dimensions (All are in mm)



Ordering Information

Product code	Supply voltage	Certification
PPRWD-4M-1	180 to 300V AC (L - N)	---

Connection Diagram



Note : - Resistor is used to discharge start capacitor in 30sec.

Recommended resistor value as per different motor rating

Start Capacitor Value	Resistor Value
Upto 200uF/300VAC	100kOhm/2W

(Minimum 30sec delay required between two consecutive starts.)