

) HDWXUHV

- ▶ &\FOLF WLPHU ZLWK XQHTXDO 21
- ▶ 7PH UDQJHV
- ▶ 8QLYHUVDO VXSSO\ YROWDJH
- ▶ /(' ,QGLFDWLRQV 3RZHU 21 5H
- ▶)LQJHU VDIH WHUPLQDOV
- &HUWL¿F QVLRQV

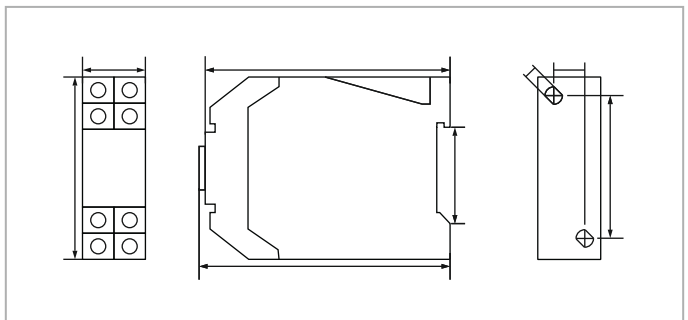
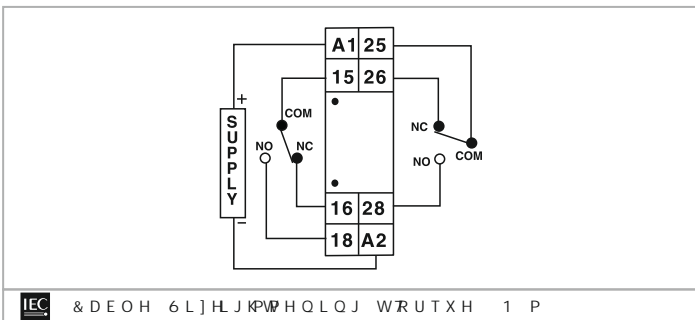
,1 PP

7HFKQLFDO VSHFLILFDWLRQV

'LVSOD\ VSHFLILFDWLRQV
,QSW VSHFLILFDWLRQV
2XWSXW VSHFLILFDWLRQV
)XQFWLRQDO VSHFLILFDWLRQ
\$X[LOLDU\ VXSSO\ VSHFLILFDWLRQV
(QYLURQPHQWDO VSHFLILFDWLRQ
OHFKDQLFDO 6SHFLILFDWLRQV

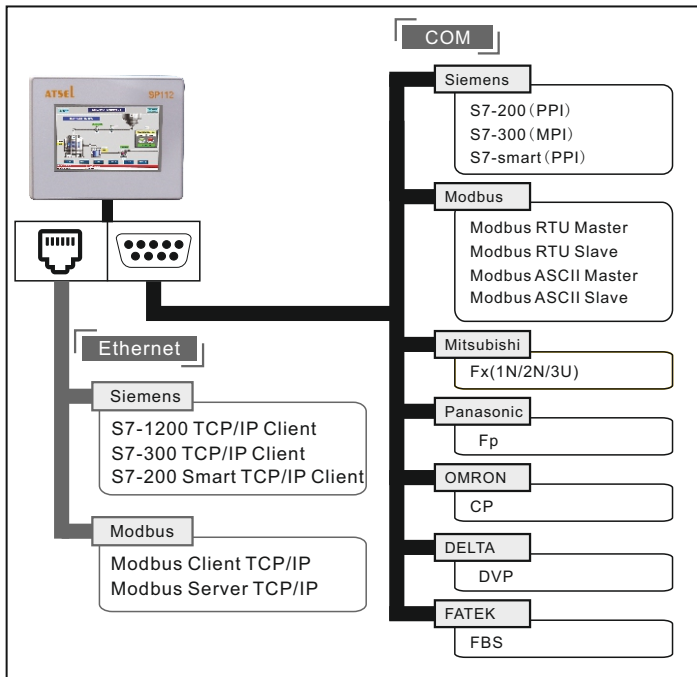
7HUPLQDO FRQQHFWRQV

'LPHQVLRQV \$OO DUH LQ PP



IEC & DEOH 6L]HJKPW HQLOQJ WRUTXH 1 P

Device interfacing



Certification

Protection level of front panel CE certificate	Comply with IP65 certification (4208-93) According to CE certification (EN61000-6-2:2005 / EN61000-6-4:2007)
---	--

Ordering information

Product code	Description
SP112-GT40-ET-CE	4.3" Touch screen HMI with Ethernet & Serial ports
SP112-GT40-S-CE	4.3" Touch screen HMI with Serial ports

Accessories

AC-USB-USB-02-1M (USB type C - Downloading cable)