




DIN 35mm

## Features :

- Earth Fault Monitoring in 1 $\emptyset$  and 3 $\emptyset$  Systems
- True RMS Measurement (AC)
- Power ON Delay, Trip Time Delay & Recovery Time Delay
- Adjustable Switching Hysteresis
- Two Alarm Relays with NC or NO Operation Selectable
- Test and Reset Function via Front / Remote
- LCD With Backlight
- DIN Rail Mount

Certification : 

### Display Specifications

Type	Digital
Display	Liquid crystal display with backlight
No. of LED	2
No. of Push Button	3

### LED Indications Chart

Condition	'R1' LED	'R2' LED
Nominal Condition	OFF	OFF
Fault Condition	ON	ON
Pre-Alarm	OFF	ON

### Input Specifications

Functions	
Measurements	Earth Fault Monitoring
Time Settings	Power ON delay, Trip time delay, Recovery time delay, Response Time
Alarm Indications	Trip
Latching	Selectable
Reset	Auto / Manual (Remote & Front)
Electrical Connections	1 $\emptyset$ - 2 wire, 3 $\emptyset$ - 3 wire, 3 $\emptyset$ - 4 wire
Frame Rating (CT Primary)	160A, 250A, 630A
M.C.C.B Rating	Depends on Frame rating
Trip Setting (Earth Fault)	10% to 80% of selected MCCB Frame Rating
Trip Time Settings	
Power ON Delay	0.5 - 99.9 sec
Trip Time Delay	0 - 99.9sec
Recovery Time Delay	0 - 99.9sec (In Auto Reset Mode)
Response Time	< 100ms
Hysteresis	1 to 10% of fault current setting
Resolution	
Current	0.1A (When fault current is less than or equal to 99.9A) 1A (When fault current is greater than 100A)
Accuracy	
Current	±5% of Setting ±2 digits
Time	±5% of Setting ±100ms

### Output Specifications

No. of Relays	2
Type of Output (Relay 1)	1 C/O SPDT
Type of Output (Relay 2)	1 C/O SPDT
Relay Rating	NO / 5A@250V AC NC / 3A@250V AC

### Auxiliary Supply Specifications

Supply Voltage (Factory Set)	85 to 270V AC / DC
Frequency	50 / 60Hz

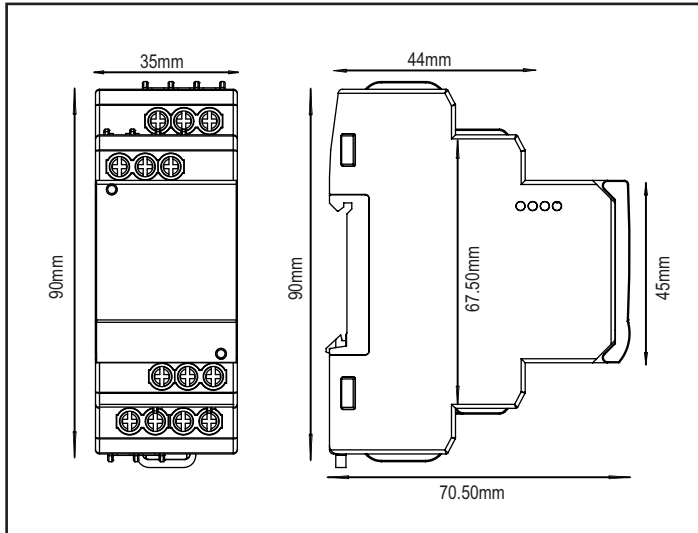
### Environmental Specifications

Temperature	Operating Temperature : 0° to +50° Storage Temperature : -20° to +75°
Humidity (non-condensing)	Upto 95% RH
Pollution Degree	2
Degree of Protection Devices	IP20

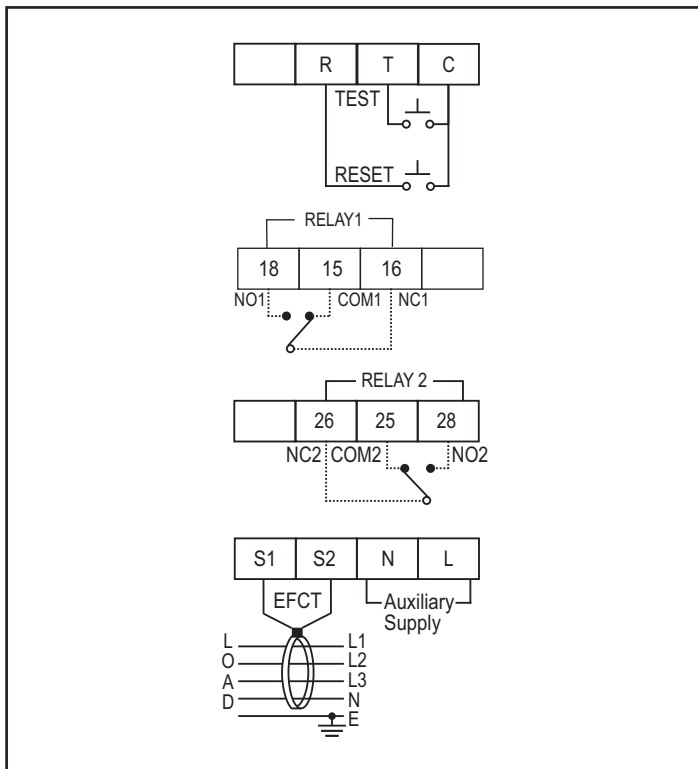
### Mechanical Specifications

Mounting	DIN Rail
Weight	150gms
Screw Tightening Torque	0.5 NM
Wire Size (Max)	4sq.mm

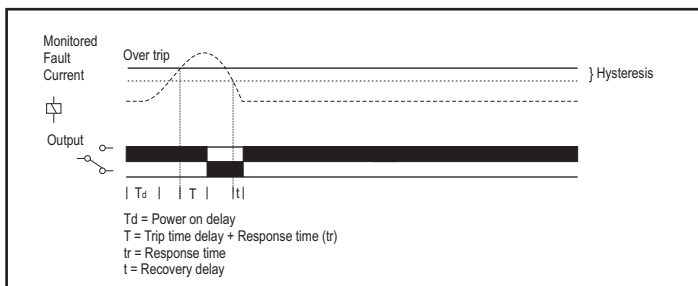
Dimensions



Terminal Connection



Timing Diagram



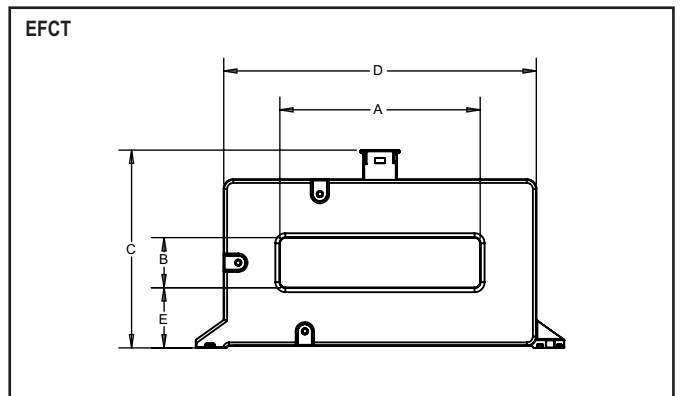
Compliance

Applicable EMI / EMC Standards		
Product Standard : IEC 60947-2		
Category	Reference Standards	Testing Level
Electrostatic Discharge	IEC 61000-4-2	Level-3
Electrical Fast Transient / Burst	IEC 61000-4-4	Level-3
Electromagnetic Field	IEC 61000-4-3	Level-3
Surge	IEC 61000-4-5	Level-3
Conducted RF	IEC 61000-4-6	Level-2
Rated Power Frequency	IEC 61000-4-8	Level-4
Voltage Dip / Short Interruptions	IEC 61000-4-11	Level-3
Conducted Emissions	CISPR-11	Class-B
Radiated Emission	CISPR-11	Class-A
Emission & Immunity	IEC 61326-1	
Safety	IEC 61010-1	

Ordering Information

Product Code	Supply Voltage	Certification
900EFR-BL-U-CE	85 to 270V AC / DC	CE

ACCESSORIES



EFCT TYPE	Dimensions (mm)				
	A	B	IC	D	E
EFCT 100X25	100	25	100	156	30
EFCT 140X35	140	35	114	201	32
EFCT 180X35	180	35	109	236	30
EFCT 220X50	220	50	128	276	32

Ordering Information

Product Code	Dimension in mm	Current Transformer Ratio
EFCT 100/25 160/1A VAL CL1	100 x 25	160/1A
EFCT 140/35 160/1A VAL CL1	140 x 35	160/1A
EFCT 140/35 250/1A VAL CL1	140 x 35	250/1A
EFCT 180/35 250/1A VAL CL1	180 x 35	250/1A
EFCT 180/35 630/1A VAL CL1	180 x 35	630/1A
EFCT 220/50 630/1A VAL CL1	220 x 50	630/1A