

72 x 72mm

### Features :

6 digits Counter, 4 digits RPM Indicator

LED Indications: Relay 1, Relay 2, Rate, Batch


Dual Set Point

Programmable input scaling

User configurable Relay 2 operation mode

User configurable Rate/ Font

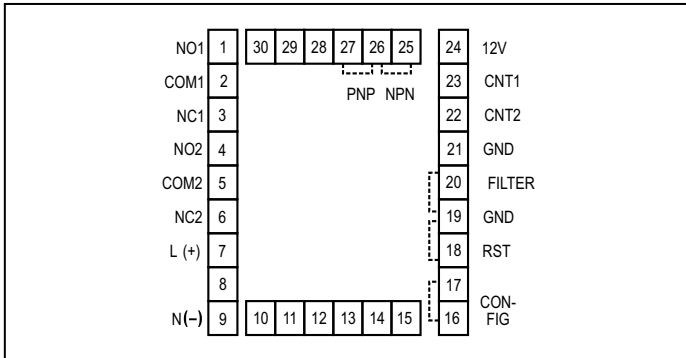
Unidirectional, Bi - directional & Quadrature mode  
with up/ down selection

Certifications: 

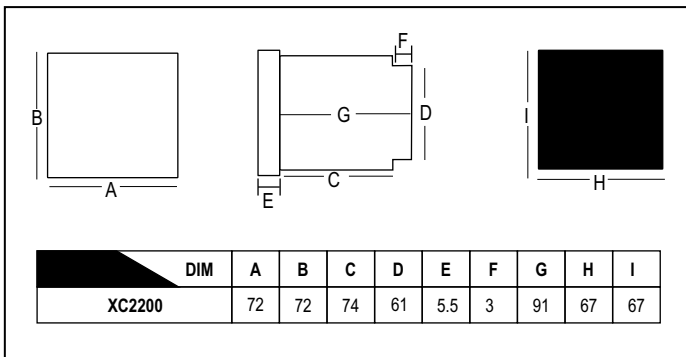
## Technical specifications

Display	6 digits for Counter, 4 digits for RPM Indicator
LED indication	1: Relay1, 2: Relay2, Rt: Rate Bt: Batch
Sensor type	NPN/ PNP
Input type	Voltage pulse (5 to 30V DC) from Proximity switches, Encoders, Solid state devices, Potential free contact
Input speed	a) 0 to 30Hz b) 0 to 5kHz
Accuracy	Rate: 0.05% ± 2 counts
Sensor supply	Inbuilt, 12 VDC, 30mA
Contact rating	Relay: NO: 10A 250 VAC/ 28 VDC NO/ NC: 5A/ 5A 250 VAC/ 28 VDC
Relay contact	2X SPDT
Modes	ON delay/ Interval/ Auto reset/ Time pulse repeat
Time ranges	Count: Selectable least count 0.0001, 0.001, 0.01, 0.1 & 1 Rate: Auto ranging 4.00 to 9999 RPS, RPM or RPH mode
Counting direction	Unidirectional, Bidirectional, Quadrature
Set point	2
Scale factor	0.00001 to 9.99999 x 10 <sup>n</sup> n = - 5, - 4, - 3, - 2, - 1, 0, 1, 2
Reset	Front (user selectable), Remote
Memory retention	Yes
Supply voltage	90 to 270 VAC/ DC (50/ 60Hz)
Power consumption	6VA Max.
Temperature	Operating: 0 to 50°C (32 to 122°F) Storage: - 20 to 75°C (- 4 to 167°F)
Humidity (non - condensing)	95% RH
Mounting	Panel mount
Weight	228.53gms

## Terminal connections



## Dimensions (All are in mm)



## Ordering information

Ordering Code	Operating Voltage	Testing Level
XC2200	90 to 270 VAC/ DC	----
XC2200-CE	90 to 270 VAC/ DC	

## Compliance

Category	Reference Standards	Testing Level
Electrostatic Discharge	IEC 61000-4-2	Level-3
Electrical Fast Transient / Brust	IEC 61000-4-4	Level-3
Electromagnetic Field	IEC 61000-4-3	Level-3
Surge	IEC 61000-4-5	Level-3
Conducted RF	IEC 61000-4-6	Level-2
Rated Power Frequency	IEC 61000-4-8	Level-4
Voltage Dip / Short Interruptions	IEC 61000-4-11	Level-3
Conducted Emissions	CISPR-11	Class-B
Rated Emissions	CISPR-22	Class-A
Emission & Immunity	IEC 61326-1	
Safety	IEC 61010-1	
PFMF (Passing criteria)	IEC 61000-4-8	Class A