



DIN 22.5mm

Features :

ON delay / Interval

Wide time ranges

Universal supply voltage

LED Indications : Power ON, Relay ON

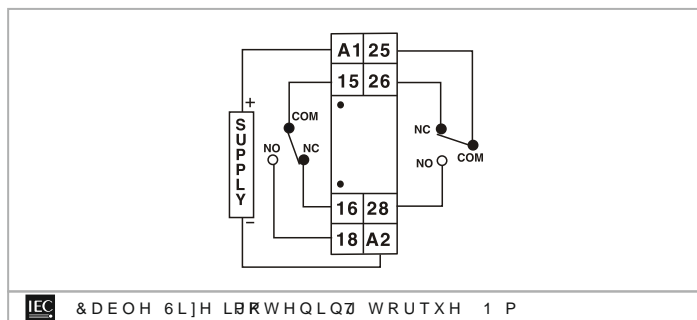
Better repeat accuracy

Certifications : 

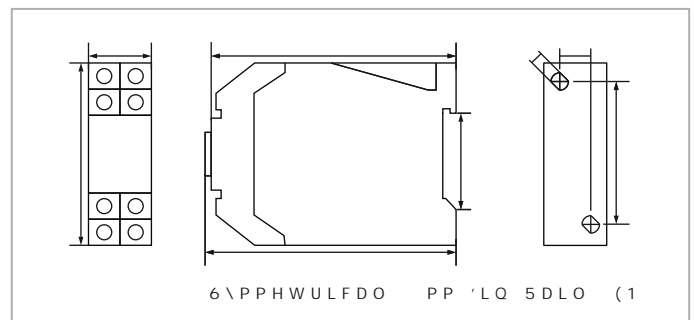
Technical specifications

Display specifications	
Display	Power ON, Relay ON
Input specifications	
Accuracy Setting	±5% of F.S.
Repeat	± 0.5% or 50msec (F.S. = Full scale)
Output specifications	
Relay contact	2 C/O SPDT
Contact rating	5A @ 250V AC or 24V DC Resistive
Functional specification	
Modes	ON delay / Interval
Time ranges	0-1 sec / min / hr, 0-3 sec / min/ hr, 0-10 sec / min / hr, 0-30 sec/ min/ hr
Resolution	0.1sec
Reset	ON power interruption, Reset time <100 msec
Auxiliary supply specifications	
Supply voltage	20 to 240V AC (50 / 60Hz), 18 to 240V DC
Power consumption	2VA max
Environmental specification	
Temperature operating	0 to 50°C (32 to 122°F)
Storage	-20 to 75°C (-4 to 167°F)
Humidity (Non - condensing)	95% RH
Mechanical Specifications	
Mounting	DIN Rail
Weight	115gms

Terminal connections



Dimensions (All are in mm)



IEC & DEOH 6LJH LBRWHQLQZ WRUTXH 1 P

6 \ PPHWULFDO PP 'LQ 5DLO (1

ORXO