

)HDWXUHV

ORQLWRWV506 (DUWK /HDNDLWBXUHQW LO
LUH LUH
(DUWK /HDNDJH 5HOD) ZLVRU QP&LOW &W&P
(QGLFDWLRQ IBUS3RQGLWLRQ
7HVW DOG 5HVHW)XQFWLRQ
63'7 2XWSXW 3URWHFWLRQ 5HOD)

&HUWL CE DWLRO

'LVSOD\ 6SHFLILFDWLRQV



/(' ,QGLFDWLRQ &KDUW



(QYLURQPHQWDO 6SHFLILFDWLRQV



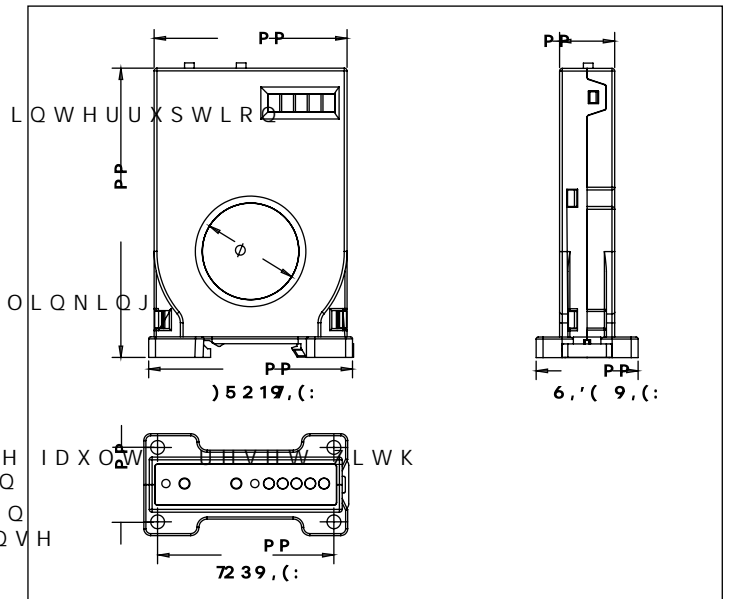
0HFKDQLFDO 6SHFLILFDWLRQV



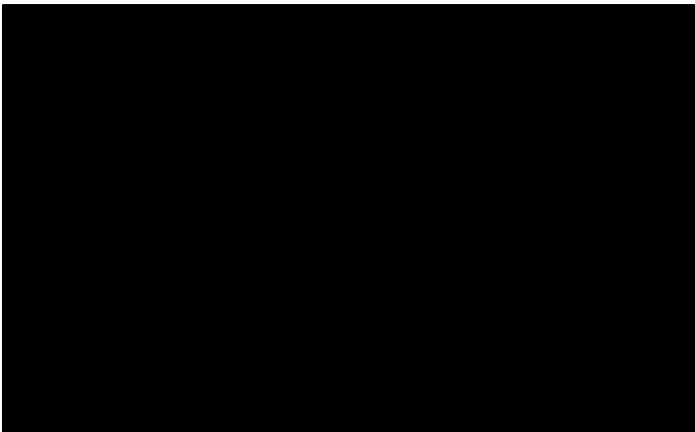
,QSW 6SHFLILFDWLRQV



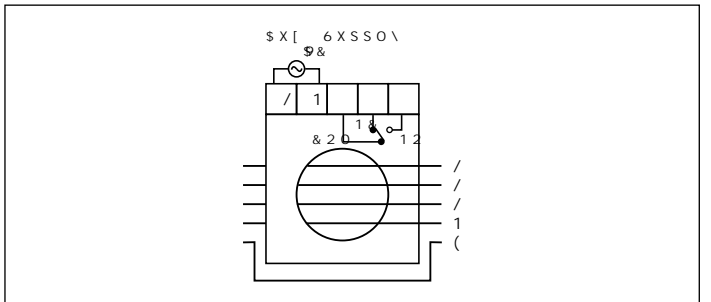
'LPHQVLRQV



2XWSXW 6SHFLILFDWLRQV



7HUPLQDO &RQQHFWRQ

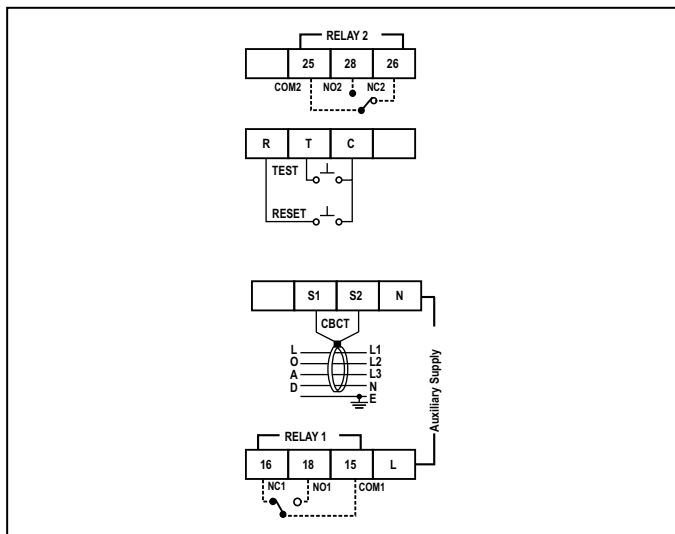


\$X[LOLDU\ 6XSSO\ 6SHFLILFDWLRQV

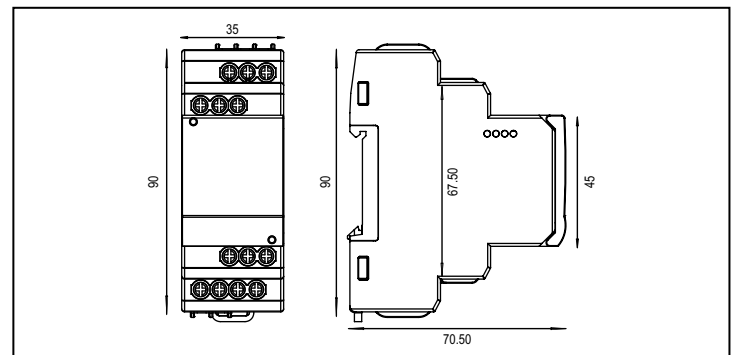


Current	±5% of setting
Time (Recovery time delay, Trip time delay, Power ON delay)	±5% of setting ±100ms
No. of relays	2
Type of output (relay1)	1 C/O (SPDT)
Type of output (relay2)	1 C/O (SPDT)
Relay rating	NO / 5A @250V AC NC / 5A @250V AC
Supply voltage	230V / 110V AC
Frequency	50 - 60Hz
Power consumption	3VA max
Temperature	Operating temperature: 0 to +50 °C Storage temperature: -20 to +70 °C
Humidity (non - condensing)	95% RH
Pollution degree	
For PCB	2
For product	3
Degree of protection devices	IP20
Mounting	DIN rail
Weight	217 gm
Screw tightening torque	0.5 NM

Terminal connections



Dimensions (All are in mm)



Compliance

Category	Reference standards	Testing level
Conducted emissions	CISPR11	Class-A
Conducted RF immunity	IEC 61000-4-6	Class-A
Electrical fast transient	IEC 61000-4-4	Class-A
Electrostatic discharge	IEC 61000-4-2	Class-B
Radiated emission	CISPR11	Class-A
Radiated susceptibility	IEC 61000-4-3	Class-A
Surge	IEC 61000-4-5	Class-A
High voltage test	IEC 61010-1	Clause 6.8
Resistance to heat test	IEC 61010-1	Clause 10.5
Single fault test	IEC 61010-1	Clause 4.4
Temperature rise test	IEC 61010-1	Clause 10

Ordering information

900ELR-2-230V-CE	230V AC	
900ELR-2-110V-CE	110V AC	