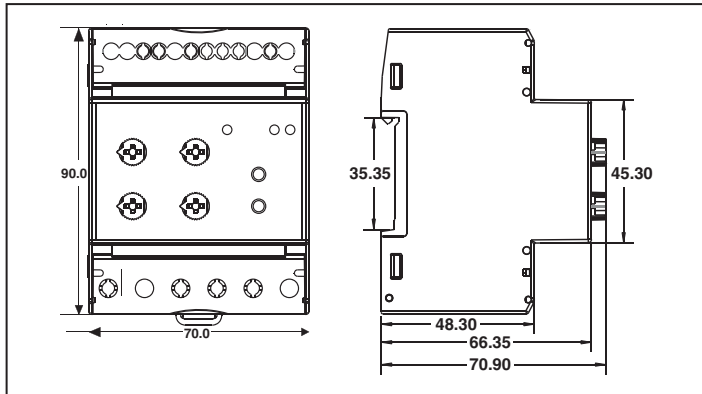
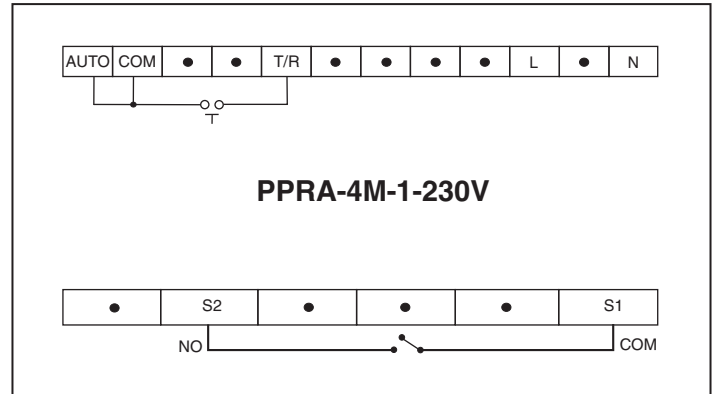


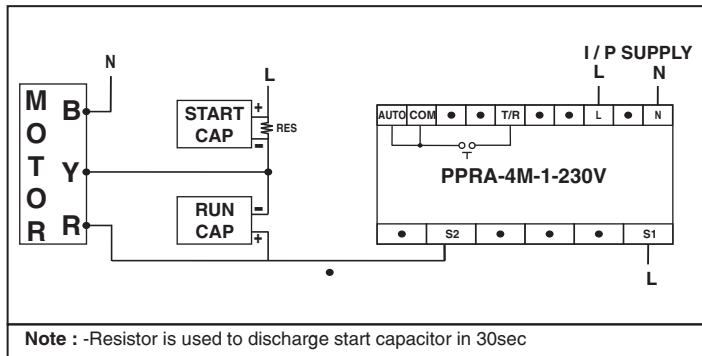
Dimensions (All are in mm)



Terminal Connections



Connection Diagram



Note : -Resistor is used to discharge start capacitor in 30sec

Recommended resistor value as per different motor rating

Start Capacitor Value	Resistor Value
Upto 200uF/300VAC	100kOhm/2W

(Minimum 30sec delay required between two consecutive starts.)

Ordering Information

Product Code	Supply Voltage	Certification
PPRA-4M-1-230V	180 to 300V AC (L - N)	---