



60 x 60mm

Features :

- 6 digits for Time Display, 2 digits for Step No.
- 50 ON - OFF Steps Per Day
- Indications
 - Auto Manual
 - Holiday
 - Relay Status
 - Day Of Week
 - Programming Mode
- 10 Years Power Reserve (Lithium Battery)

Certification :

Display Specifications

Display	Text LCD (Without Backlight) 6 digits for time display, 2 digits for step no.
Character Height	5.07mm (HH : MM) and 3.39mm (SS)
Indications (Through symbol)	Auto Manual, Holiday, Relay status, Day of week, Programming mode

Output Specifications

No. of Output	1
Relay Contact	1NO & Neutral
Contact Rating	20A @ 250V AC

Functional Specifications

Operation Period	1 week
Weekly Program	Total 50 ON Steps and 50 OFF Steps 2 Programs x 25 Steps 3 Programs x 16 Steps 4 Programs x 12 Steps 5 Programs x 10 Steps 6 Programs x 08 Steps 7 Programs x 07 Steps 8 Programs x 06 Steps
Minimum setting unit	1 second
Holiday Settings	16 dates
Clock	12 - hr (AM / PM) and 24 - hr selection
Relay Operating Mode	Auto / Permanent Override ON / Permanent Override OFF
RTC accuracy	15 mins a year@25°C

Auxiliary Supply Specifications

Supply Voltage	230V AC ±10% / 110V AC ±10% (50 / 60 Hz)
Power Consumption	Approx. 9 Watts at 252 VAC

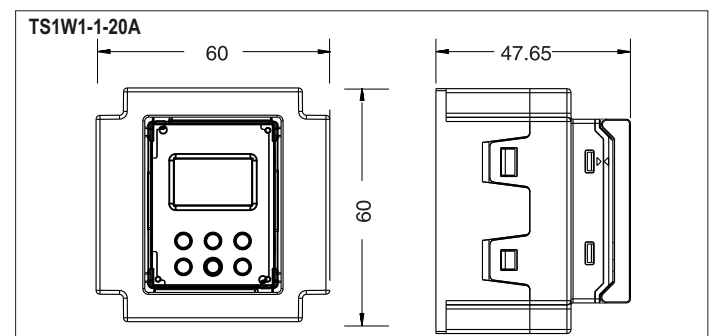
Environmental Specifications

Temperature	Operating : 0 to 50° C Storage : -20 to 70° C
Humidity (non - condensing)	Upto 95% RH

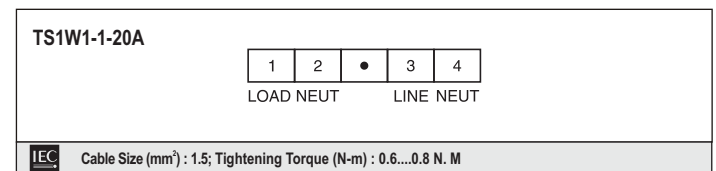
Mechanical Specifications

Mounting	Wall Mount
Weight	100gms

Dimensions



Terminal Connections



Compliance

Applicable EMI / EMC Standards		
Product Standard		
Category	Reference Standards	Testing Level
Electrostatic Discharge	IEC 61000-4-2	Level-3
Electrical Fast Transient / Burst	IEC 61000-4-4	Level-3
Electromagnetic Field	IEC 61000-4-3	Level-3
Surge	IEC 61000-4-5	Level-3
Conducted RF	IEC 61000-4-6	Level-2
Rated Power Frequency	IEC 61000-4-8	Level-4
Voltage Dip / Short Interruptions	IEC 61000-4-11	Level-3
Conducted Emissions	CISPR-11	Class-B
Rated Emissions	CISPR-22	Class-A
Emission & Immunity	IEC 61326-1	
Safety	IEC 61010-1	
PFMF (Passing criteria)	IEC 61000-4-8	Class A

Ordering Information

Product Code	Supply Voltage	Certification
TS1W1-1-20A-230V-CE	230V AC	CE
TS1W1-1-20A-110V	110V AC	---