

) HDWXUHV

&RPSDFW

5HOLDESHF&D&WH

JOHLEOH<HVLJO

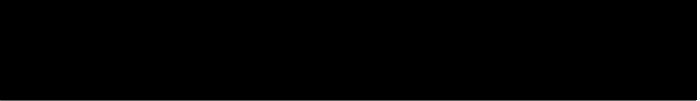
'HWHFWLRO RI (DUWK /HDNDJH &XU

3DQHO ORXQW

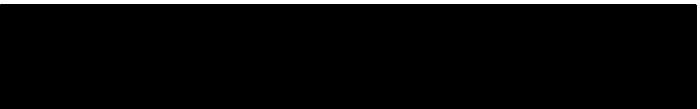
,QSXW 6SHFLILFDWLROV



(QYLURQPHQWDO 6SHFLILFDWLROV

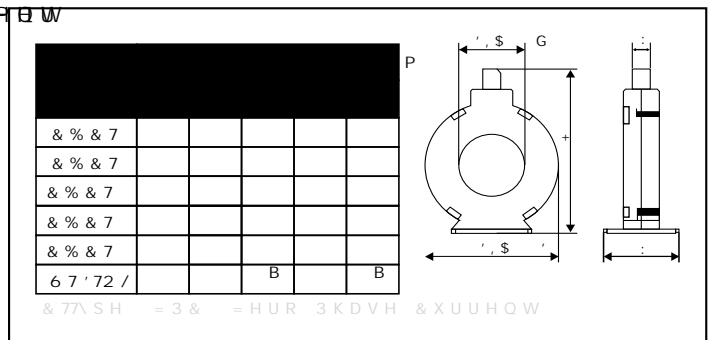


OHFKDQLFDO 6SHFLILFDWLROV

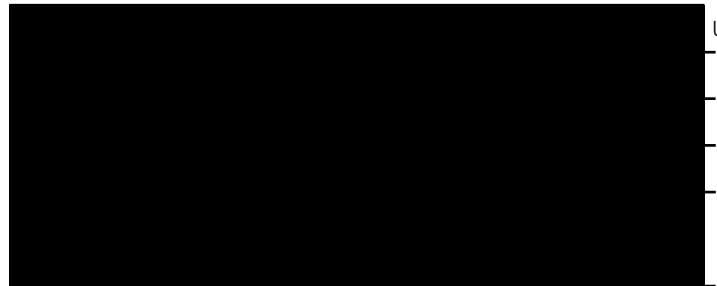


'LPHQVLRQ

URPW

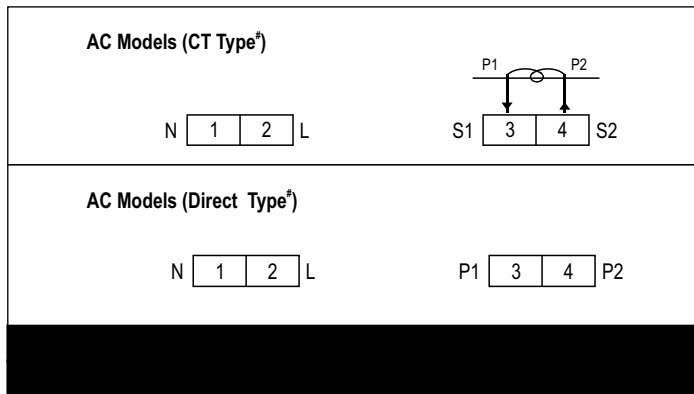


2 UGHULOJ ,QIRUPDWLRO



U

Terminal Connections



***NOTE**

- 1) **CT Type:** There is an internal CT with CT setting. Above 5A(0-5A model) external CT is required.
- 2) **Direct Type:** Input is directly connected to the input of the unit.

Ordering Information

| | Supply Voltage | | Certification | |
|-------------|----------------|---------|---------------|-----------|
| | 240V AC | 110V AC | CE | UL LISTED |
| MA12 | * | * | * | * |
| MA12-CE | * | * | * | * |
| MA12-110V | * | * | * | * |
| MA12-28A-AC | * | * | * | * |

Note:

- 1) **CT Type :** There is an internal CT with CT setting (5-4000A). For current input >5A, external CT is required.
- 2) **Direct Type :** Input is directly connected to the unit.