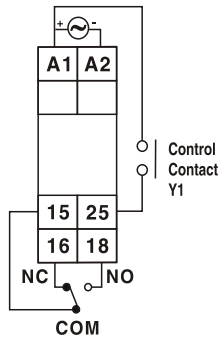




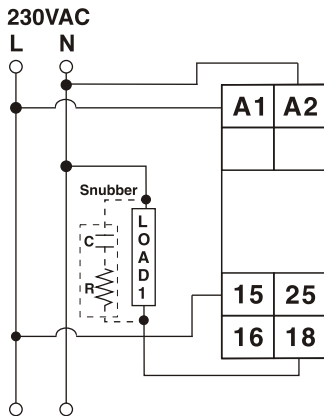
## TERMINAL CONNECTION

Terminal	Description
A1	L (+) TIMER SUPPLY
A2	N (-) TIMER SUPPLY
15	COM
16	NC
18	NO
25	Y CONTACT

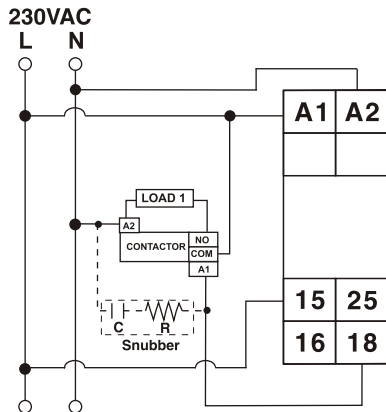


## TYPICAL LOAD CONNECTIONS

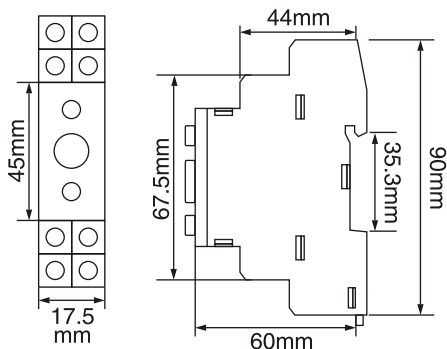
1. For load current less than 0.5A



2. For bigger loads, use interposing relay/contactors



## MECHANICAL INSTALLATION



## MODE OF OPERATION

<p><b>A</b> Function: ON Delay</p>	<p><b>B</b> Function: Interval</p>
<p><b>C</b> Function: Cyclic Equal OFF First</p>	<p><b>Ci</b> Function: Cyclic Equal ON First</p>
<p><b>D</b> Function: Pulse Output</p>	<p><b>E</b> Function: Delay On Break</p>
<p><b>F</b> Function: Delay On Make / Break</p>	<p><b>H</b> Function: Interval After Break</p>
<p><b>I</b> Function: Single Shot</p>	<p><b>J</b> Function: Retriggerable Single Shot</p>
<p><b>K</b> Function: Latching Relay</p>	<p><b>Ai</b> Function: Delay With Totalise</p>
<p><b>Bi</b> Function: Interval With Totalise</p>	

(Specifications are subject to change, since development is a continuous process)

### Selec Controls Pvt. Ltd., India

Factory Address :

EL-27/1, Electronic Zone, TTC Industrial Area, MIDC, Mahape,  
Navi Mumbai - 400 710, INDIA.

Tel. No. : +91-22-241418468 / 452. Email: sales@selec.com

www.selec.com