



Features :

- 26.4W Rated power
- Protection against short circuit, Overload & Over voltage
- Low ripple & noise
- Cooling by free air convection
- Power OK indication
- Low cost
- High reliability
- Compact

Certification :

Display specifications

Display	LED Indication for DC OK
---------	--------------------------

Input specifications

Voltage range	100 ~ 270 VAC, 100 - 300 VDC
Frequency range	50 / 60 Hz
AC current	100 V - 0.6 A 270 V - 0.3 A
Efficiency	Up to 83 % at 230 VAC
Inrush current	115 VAC - < 40 A at cold start 230 VAC - < 75 A at cold start

Output specifications

DC voltage	24 VDC
Rated current	1.1 A
Line & Load regulation	Better than 0.5 %
Hold up time	30 ms (Typical) at 230 VAC input voltage & Full load
Ripple & Noise	< 200 mV

Protections

Overload	≥110 % of rated output current
Protection type	Hiccup mode, Recovers automatically after fault condition is removed.
Input fuse	2 A @ 250 VAC (Internal)

Environment specifications

Operating	- 25°C to + 70°C
Storage ambient	- 40°C to + 85°C

Mechanical specifications

Mounting	DIN rail
Dimension	35*93.8*60mm (W*H*D)
Weight	140 gms
Terminal connection	Screw type, for 2.5mm sq. wire

RELIABILITY

MTBF	> 475K hrs. as per MIL-HDBK-217F (25°C)
------	---

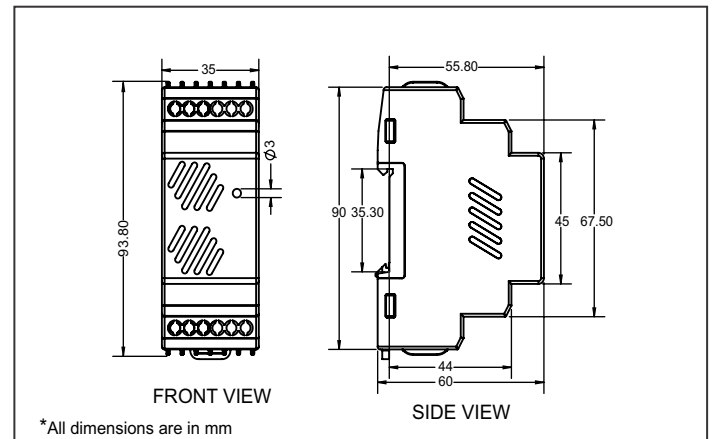
Connectors details

Description	Type	Torque
Input connector	GOOSVN : GS017S-5.08	0.5 Nm
Output connector	OR Equivalent	

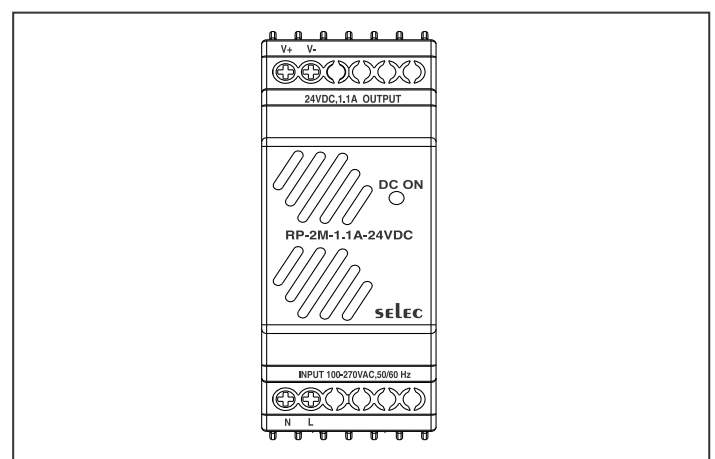
Safety & EMC

Safety standards : IEC61010-1
Isolation Input - Output : 4KVAC, 1 min

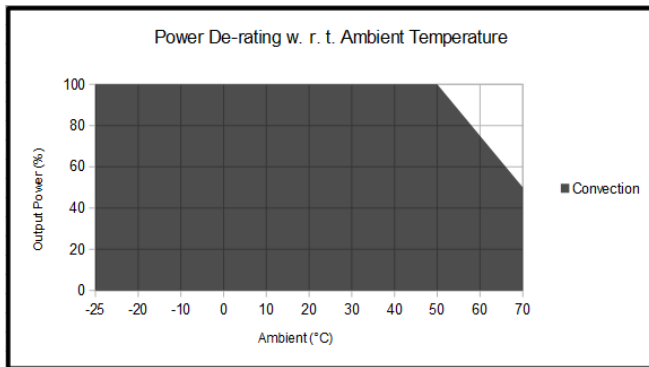
Mechanical dimensions



Terminal connections



Derating curve



Compliance

Applicable EMI / EMC Standards		
Product Standard		
Category	Reference Standards	Testing Level
Conducted Emission	CISPR32	CLASS B
Radiated Emission	CISPR32	CLASS A
Electrostatic Discharge	IEC61000-4-2	Level 4, Criteria A Level 3, Criteria A
Radiated Susceptibility	IEC61000-4-3	Level 3, Criteria A
Electrical Fast Transient / Burst	IEC61000-4-4	Level 3, Criteria A
Surge	IEC61000-4-5	Level 3, Criteria A
Conducted Susceptibility	IEC61000-4-6	Level 3, Criteria A
Power Frequency Magnetic Field	IEC61000-4-8	Level 4, Criteria A
Voltage Dips & Interruption	IEC61000-4-11	CLASS 3, Criteria A & B
Safety	IEC62368-1	PASS

Ordering information

Product code	Description	Certification
RP-2M-1.1A-24VDC-CE-RoHS	24V DC, 1.1A Power Supply	CE RoHS