



48 x 48mm

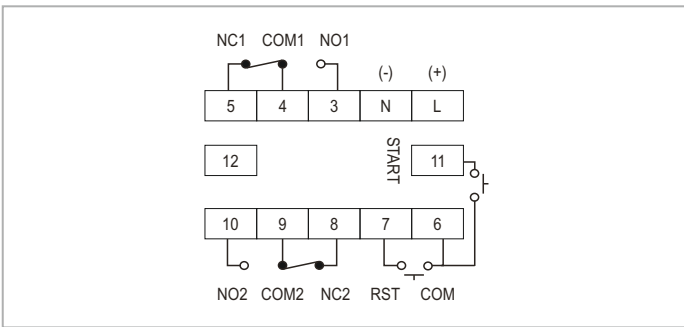
**Features :**

- ▶ Single set point
- ▶ LED Indications : Relay ON, Seconds, Minutes, Hours
- ▶ 3 digits, 7 segment LED, Dual Display

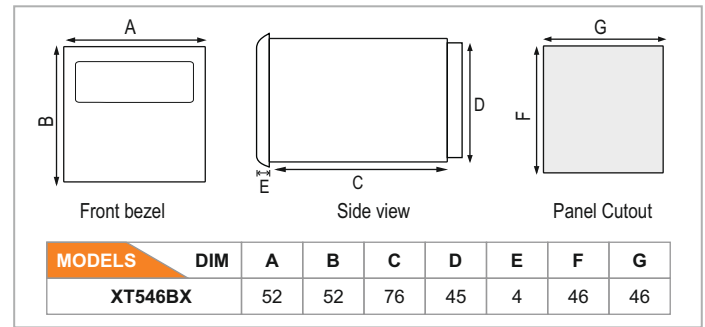
**Technical specifications**

Display specifications	
Display	3 digits, 7 segment LED, Dual display Height of Upper Display : 0.3785" Height of Lower Display : 0.2720"
LED indication	Relay ON, Hr / Min /Sec
Input specifications	
Accuracy	Setting: $\pm 0.05\%$ of set time or 50msec ; Repeat: $\pm 0.05\%$
Start input	Gate/ Pulse (Programmable)
Output specifications	
Contact rating	Relay : NO: 10A 250 VAC/ 28 VDC NO/ NC: 5A/ 5A 250 VAC/ 28 VDC
Relay contact	2X SPDT
Functional specifications	
Modes	ON delay, Interval, Cyclic ON first, Cyclic OFF first
Time ranges	0 - 9.99sec, 0 - 99.9sec, 0 - 999sec, 0 - 9:59min: sec , 0 - 99.9min, 0 - 999min, 0 - 9: 59hr: min , 0 - 99.9hr, 0 - 999hr
Resolution	0.01sec
Counting direction	Up/ Down (selectable)
Set point	1
Time setting	By keys on front panel
Reset	Front, Remote, On power interruption (programmable)
Memory retention	Yes (selectable)
Configuration lock	Yes
Auxiliary supply specifications	
Supply voltage	85 to 270 VAC/ DC (50/ 60Hz) - 15% to 10% tolerance
Power consumption	4VA max
Environment specifications	
Temperature	Operating: 0 to 50°C (32 to 122°F) Storage: - 20 to 75°C (- 4 to 167°F)
Humidity (non - condensing)	95% RH
Mechanical specifications	
Mounting	Panel mount
Weight	120gms

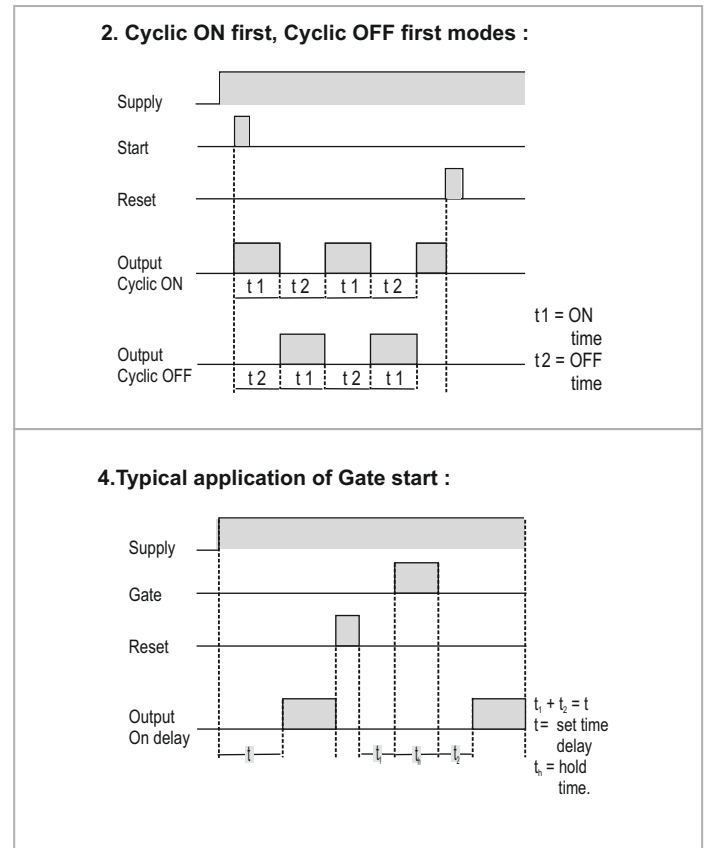
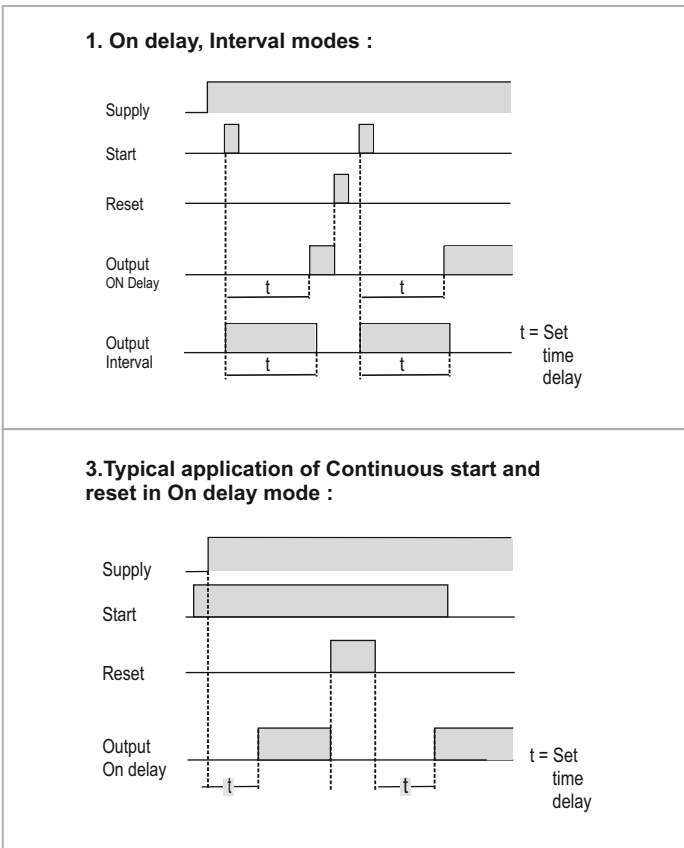
## Terminal connections



## Dimensions (All are in mm)



## Timing diagram



## Ordering information

Product code	Supply voltage	Certification
XT546BX	85 to 270 VAC/ DC	---