



Features :

- 4.3" Touch screen
- Ethernet / Serial communication
- User / Password management
- Recipe management
- Data logging functionality
- Update program by USB flash
- Multiple communication protocols
- In-Built symbol library
- Alarms
- Real time clock

Certification :

Display specifications

Type	4.3" TFT Touch screen (65536 colors)
Resolution	480x272 pixels
Display size	4.3" Diagonal
Backlight	LED
Brightness	300cd/m ²
Span life	30000 hrs
LCD type	4 wire high precision resistance network

Functional specifications

Programming method	Windows based software for HMI configuration.
Processor	1GHz Quad code
Memory	256M Flash+256M DRAM
USB host	USB2.0 x 1, Support USB flash disk to update firmware, configure and store data
USB slave	Type C, Support power supply & program download/upload
Serial interface	COM1:RS485/422 COM2:RS232
Ethernet	RJ45 10M/100M self-adaption. Communicates with PLC & PC, Multiple HMI Online. Default IP is 192.168.1.100
DB9	Male (COM1 and COM2)

Mechanical specifications

Dimensions (W x H x D)mm	138x102x32 mm
Panel cutout (W x H)mm	129 x 93mm
Mounting	Panel mounting
Weight	400 gms
Ingress protection	IP65
Cover material	ABS+PC plastics

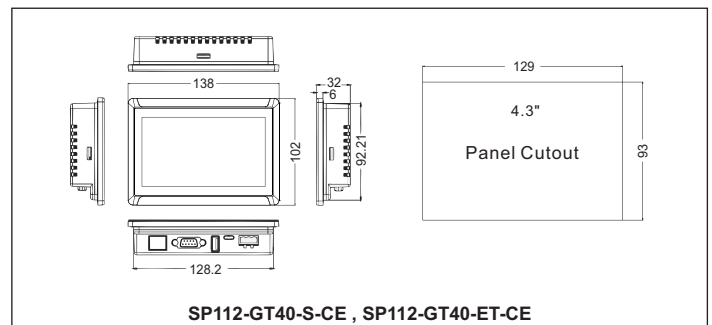
Electrical specifications

Power supply voltage	24V DC (20.4~28.8V DC), 0.3A
Rated power	3W
Permissible power loss	10 mSec
Insulation resistance	Over 50 mΩ @ 500V DC
Withstand voltage performance	500V AC 1 min

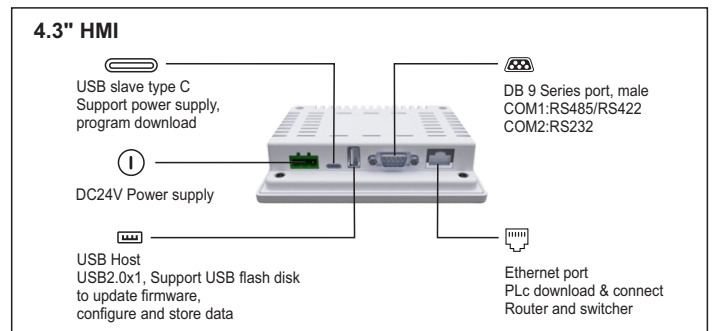
Environmental specifications

Temperature	Operating : 0 to 50°C Storage : -20 to 60°C
Humidity	10 ~ 90%RH (non condensing)
Seismic performance	10 ~ 25Hz (2G / 30min in x, y, z directions)

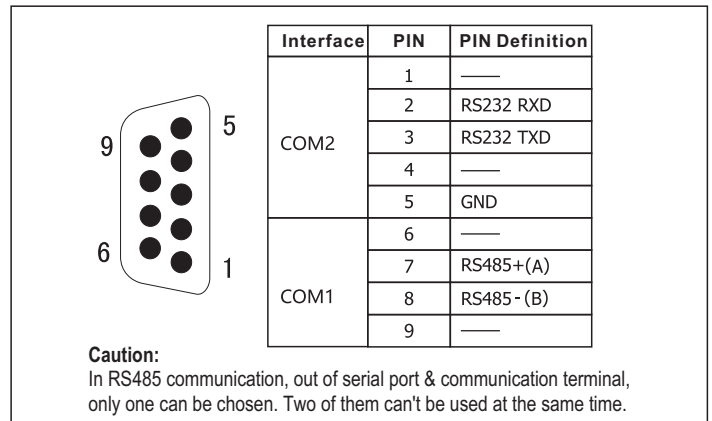
Dimension (All Dimensions are in mm)



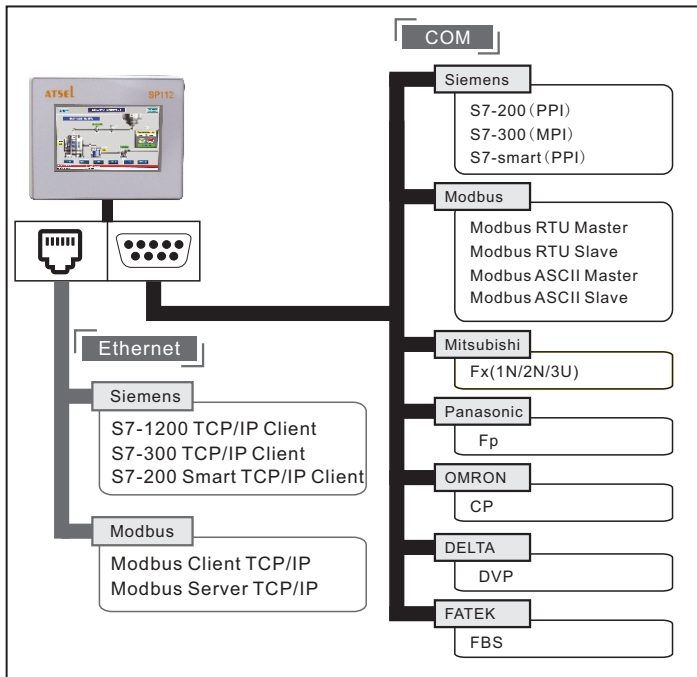
External ports



DB9 Pin Configuration



Device interfacing



Certification

Protection level of front panel CE certificate	Comply with IP65 certification (4208-93) According to CE certification (EN61000-6-2:2005 / EN61000-6-4:2007)
---	--

Ordering information

Product code	Description
SP112-GT40-ET-CE	4.3" Touch screen HMI with Ethernet & Serial ports
SP112-GT40-S-CE	4.3" Touch screen HMI with Serial ports

Accessories

AC-USB-USB-02-1M (USB type C - Downloading cable)