



### Features :

- Supports 90 - 264 VAC / 127 - 370 VDC
- Efficiencies up to 87 %
- Protection against short circuit, overload, overvoltage & over temperature
- Cooling by free air convection
- UL 508 approved (E522848)

### Model Number Legend:

RPS60 -       - CU

1. Output Voltage: 05: 5 V  
 12: 12 V  
 15: 15 V  
 24: 24 V  
 48: 48 V

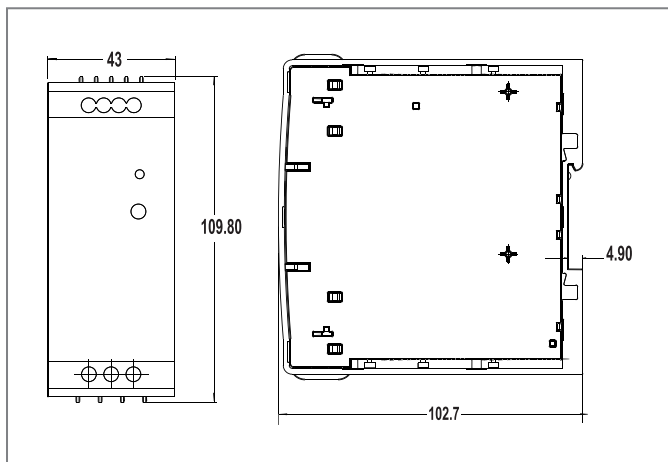
Certification :

### SPECIFICATIONS:

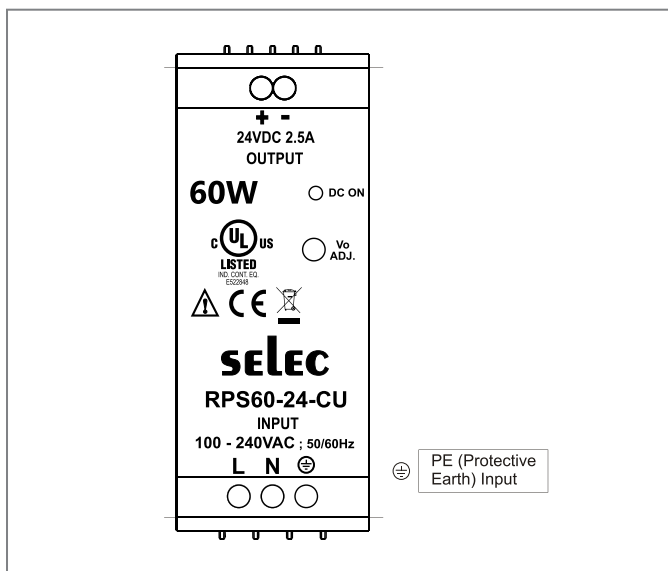
		RPS60-05-CU	RPS60-12-CU	RPS60-15-CU	RPS60-24-CU	RPS60-48-CU
OUTPUT	NOMINAL DC VOLTAGE	5 V	12 V	15 V	24 V	48 V
	RATED CURRENT	10 A	5 A	4 A	2.5 A	1.25 A
	CURRENT RANGE	0 - 10 A	0 - 5 A	0 - 4 A	0 - 2.5 A	0 - 1.25 A
	RATED POWER	50 W	60 W	60 W	60 W	60 W
	RIPPLE & NOISE (max)	< 1.5 % of Vout	< 1 % of Vout	< 1 % of Vout	< 1 % of Vout	< 1 % of Vout
	VOLTAGE ADJ. RANGE	5.0 to 6.0 V	12 to 14 V	15 to 17.5 V	24 to 28 V	48 to 56 V
	VOLTAGE TOLERANCE	± 1 %				
	LINE REGULATION	± 0.5 %				
	LOAD REGULATION	± 1 %				
	TURN ON TIME	< 1 sec @ 230 VAC & < 3 sec @ 115 VAC, Full load				
	HOLD UP TIME	≥ 60 ms @ 230 VAC & ≥ 15 ms @ 115 VAC, Full load				
RISE TIME	< 100 ms					
INPUT	VOLTAGE RANGE*	90 - 264 VAC / 127 - 370 VDC				
	FREQUENCY RANGE	50 / 60 Hz				
	EFFICIENCY @ 230V AC	Up to 78 %	Up to 86 %	Up to 86 %	Up to 87 %	Up to 87 %
	AC CURRENT	1.2 A @ 115 VAC; 0.8 A @ 230 VAC				
	INRUSH CURRENT	< 48 Amps; Measured at 264 VAC, 25°C Ambient, Cold start				
	LEAKAGE CURRENT	< 1 mA; 264 VAC input				
PROTECTION	OVERLOAD	> 110% of rated output current; Hiccup type, Autorecovery				
	OVERVOLTAGE	6.8 VDC ± 0.5 VDC	17 VDC ± 1 VDC	20 VDC ± 1 VDC	31.5 VDC ± 1 VDC	61 VDC ± 2 VDC
	OUTPUT SHORT CIRCUIT	Latched type; Input AC power to be recycled to recover the power supply				
	OVER TEMPERATURE	Hiccup mode when output is shorted; Autorecovery type				
ENVIRONMENT	OPERATING TEMP	- 25°C to + 70°C; De-rate linearly above 50°C from 100 % load at 50°C to 50 % load at 70°C, - 25°C to 0°C startup is guaranteed with specification deviation (Output ripple can be more than 10 % of the output voltage.)				
	STORAGE TEMP	- 40°C to + 85°C				
	COOLING	Natural convection cooled				
	HUMIDITY	5 to 95 % RH, Non condensing				
	ALTITUDE	2000 m				
	VIBRATION	Component: 10 ~ 500 Hz, 2 G 10 min. / 1 cycle, period for 60 min. each along X, Y, Z axes				
SAFETY & EMC	DIELECTRIC WITH STAND VOLTAGE	I/P to Earth: 2500 VAC I/P to O/P: 4000 VAC O/P to Earth: 1500 VAC				
OTHERS	DIMENSION	43 x 109.8 x 102.7 mm (W x H x D)				
	WEIGHT	285 gms				
	MOUNTING	35 mm DIN rail				

\* Although power supply will work for the specified DC input voltage range, UL approval is only for the specified AC input voltage range.

## Dimensions (All are in mm)



## Terminal connections



## Compliance

Applicable EMI / EMC Standards		
Category	Reference Standards	Testing Level
Conducted Emission	CISPR11	CLASS A
Radiated Emission	CISPR22	CLASS A
Electrostatic Discharge	IEC 61000-4-2	Level 4, Criteria A Level 3, Criteria A
Radiated Susceptibility	IEC 61000-4-3	Level 3, Criteria B
Electrical Fast Transient / Burst	IEC 61000-4-4	Level 3, Criteria A
Surge	IEC 61000-4-5	Level 3, Criteria A
Conducted Susceptibility	IEC 61000-4-6	Level 3, Criteria B
Power Frequency Magnetic Field	IEC 61000-4-8	Level 4, Criteria A
Voltage Dips & Interruption	IEC 61000-4-11	Criteria A & B
Safety	UL 508 approved (E522848) Designed to meet IEC 62368-1	

## Ordering information

Product Code	Description	Certification
RPS60-05-CU	50 W, 05 V / 10 A DIN rail mounted Power Supply in Plastic Housing	CE, RoHS, UL LISTED
RPS60-12-CU	60 W, 12 V / 5 A DIN rail mounted Power Supply in Plastic Housing	CE, RoHS, UL LISTED
RPS60-15-CU	60 W, 15 V / 4 A DIN rail mounted Power Supply in Plastic Housing	CE, RoHS, UL LISTED
RPS60-24-CU	60 W, 24 V / 2.5 A DIN rail mounted Power Supply in Plastic Housing	CE, RoHS, UL LISTED
RPS60-48-CU	60 W, 48 V / 1.25 A DIN rail mounted Power Supply in Plastic Housing	CE, RoHS, UL LISTED

## Derating curve

