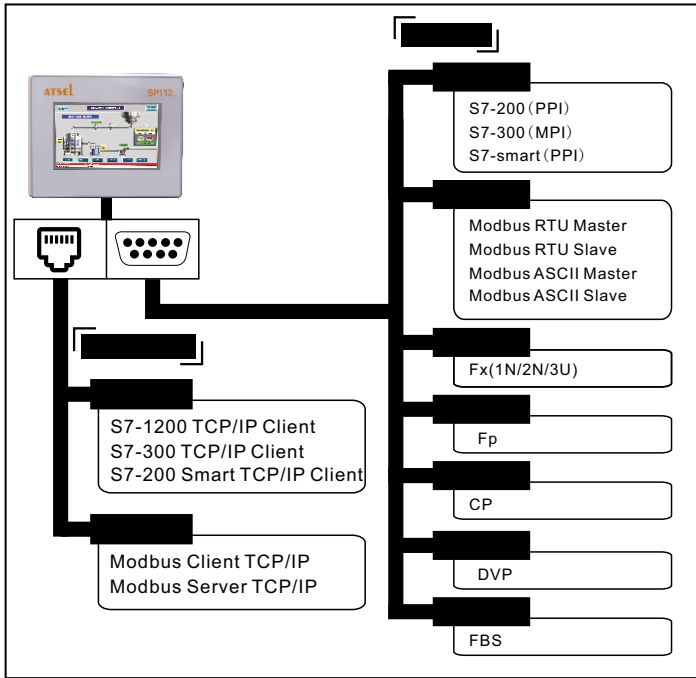




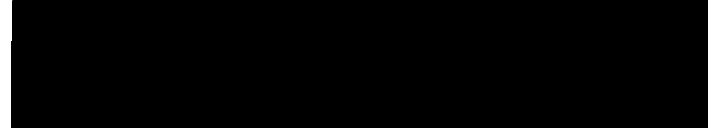
## Device interfacing



## Certification



## Ordering information



## Accessories

AC-USB-USB-02-1M (USB type C - Downloading cable)