




DIN 35mm

## Features :

- 1Ø - 2 Wire, 3Ø - 3 Wire & 3Ø - 4 Wire Input
- Leakage Current Monitoring
- True RMS Measurement
- CBCT Connection Monitoring
- Power ON Delay, Trip Time Delay and Recovery Time Delay
- Adjustable Switching Hysteresis
- Two Separate Alarm Relays with NO or NC Operation Selectable
- Test and Reset Function via Front / Remote
- DIN Rail Mount

Certification : 

### Display Specifications

Type	Digital
Display	Liquid Crystal Display with Backlight
No. of LED	2
No. of Push Button	3

### LED Indication Chart

Condition	'R1' LED	'R2' LED
Nominal Condition	OFF	OFF
Fault (If programmed for Relay1)	ON	ON
Pre-Alarm	OFF	ON
Fault (If programmed for both Relay)	ON	ON
CBCT Error	Blinking	Blinking

### Input Specifications

Functions	
Measurements	Earth Leakage Current Monitoring (via external CBCT)
Time Settings	Power ON delay, Trip time delay, Recovery timer delay
Alarm Indications	Pre - warning alarm, Trip, CBCT error
Latching	Selectable
Reset	Auto / Manual (Selectable)
Electrical Connection	1Ø - 2 wire, 3Ø - 3 wire, 3Ø - 4 wire
Trip Settings	
Leakage Current	30mA - 30A
Pre Alarm	50 - 100% of Leakage Current Setting
Display Current Range	15mA - 30A
Trip Time Settings	
Power ON Delay	0.5 - 99.9sec
Trip Time Delay	0 - 99.9sec
Recovery Time Delay	0 - 99.9sec
Response Time	< 30ms (If trip current 5 x set value) < 50ms (If trip current 1 x set value)
Hysteresis	
Hysteresis	5 to 40%
Resolution	
Current	0.1mA, 1mA, 0.01A, 0.1A (Depends on trip Setting)

### Accuracy

Current	±5% of Setting
Time (Recovery Time Delay, Trip Time Delay, Power ON Delay)	±5% of Setting ±100ms

### Output Specifications

No. of Relays	2
Type of Output (Relay1)	1 C/O (SPDT)
Type of Output (Relay2)	1 C/O (SPDT)
Relay Rating	NO / 5A@250V AC NC / 3A@250V AC

### Auxiliary Supply Specifications

Supply Voltage	230V AC
Frequency	50 - 60Hz
Power Consumption	3VA max

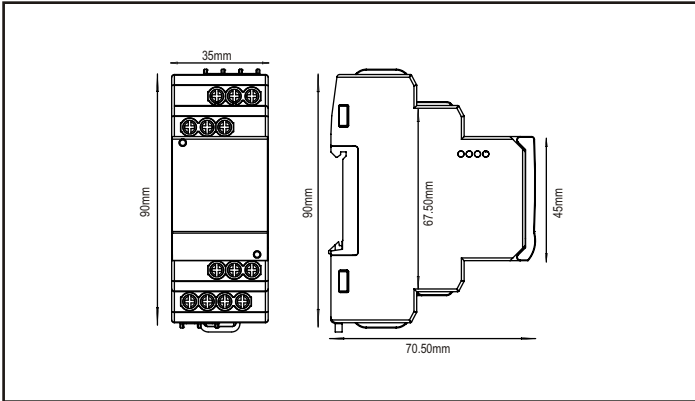
### Environmental Specifications

Temperature	Operating Temperature : 0° to +50° Storage Temperature : -20° to +70°
Humidity (non-condensing)	95% RH
Pollution Degree	
For PCB	2
For Product	3
Degree of Protection Devices	IP20

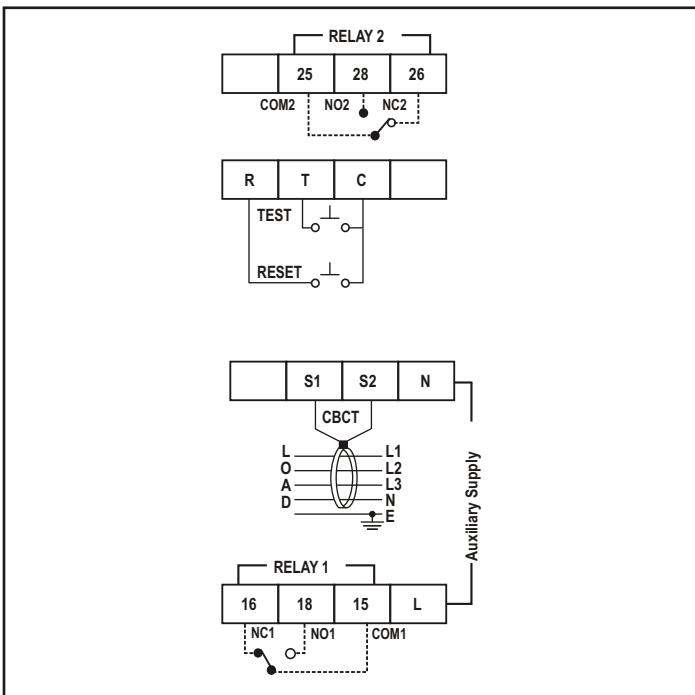
### Mechanical Specifications

Mounting	DIN Rail
Weight	217gms
Screw Tightening Torque	0.5 NM

Dimensions



Terminal Connection



Compliance

Applicable EMI / EMC Standards		
Product Standard : IEC 60947-2		
Category	Reference Standards	Testing Level
Conducted Emissions	IEC 61000-6-3	Class-A
Conducted RF Immunity	IEC 61000-4-6	Class-A
Electrical Fast Transient	IEC 61000-4-4	Class-B
Electrostatic Discharge	IEC 61000-4-2	Class-B
Radiated Emission	CISPR-22	Class-A
Radiated Susceptibility	IEC 61000-4-3	Class-A
Surge	IEC 61000-4-5	Class-B
High Voltage Test	IEC 61010-1	Clause 6.8
Resistance To Heat Test	IEC 61010-1	Clause 10.5
Single Fault Test	IEC 61010-1	Clause 4.4
Temperature Rise Test	IEC 61010-1	Clause 10

Ordering Information

Product Code	Supply Voltage	Certification
900ELR-2-230V-CE	230V AC	CE

Accessories

Product Code	Inner Diameter	Turns Ratio
CBCT-35-1	35mm	1000:1
CBCT-70-1	70mm	1000:1
CBCT-120-1	120mm	1000:1
CBCT-210-1	210mm	1000:1
CBCT-310-1	310mm	1000:1