



### Features :

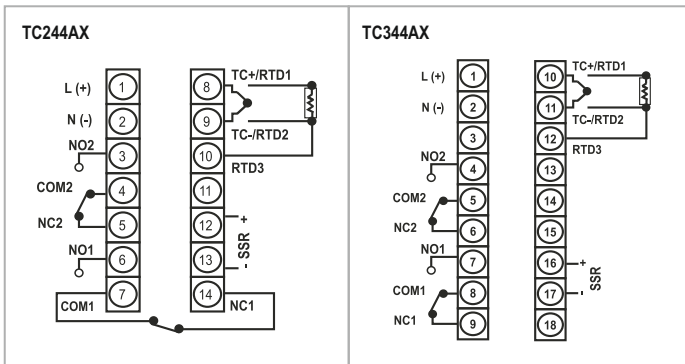
- ▶ 4+4 digits, 7 segment LED dual display
- ▶ TC/ RTD input
- ▶ ON- OFF/ PID control
- ▶ Two set points
- ▶ °C/°F selectable
- ▶ Field selectable control output (Relay or SSR)
- ▶ Auxiliary output: Relay

## Technical specifications

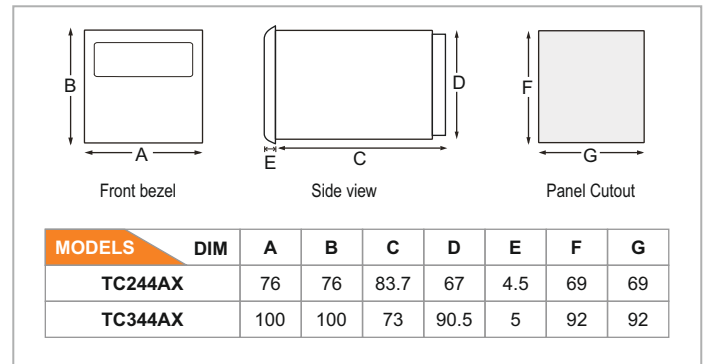
Display specifications	
Display	4+ 4 digits, 7 Segment LED dual display
LED indication	OUT 1: ON            T: Auto Tune OUT 2: ON            S: Dwell timer
Input specifications	
Inputs	Thermocouple (J, K, T, R, S) / RTD (PT100)
Resolution	0.1/ 1° for TC/ RTD inputs (fixed 1° for R & S type TC input)
Indication accuracy	For J, K & T inputs: 0.25% of F.S. ±1° For R & S inputs: 0.5% of F.S. ±2° (20 min of warm up time for TC inputs) For RTD input: 0.1% of F.S. ±1° (F.S. = Full scale)
Temperature unit	°C/°F selectable
Input filter (FTC)	0.2 to 10.0 sec
Sampling time	250 ms
Output specifications	
<b>Control output</b> (Relay or SSR user selectable)	
Relay contact (SPDT)	Main Output: NO: 10A 250 VAC/ 24 VDC NO/ NC: 5A/ 5A 250 VAC/ 24 VDC
SSR drive (Voltage pulse)	12 VDC, 50 mA
<b>Auxiliary output</b>	
Relay contact (SPDT)	NO: 10A 250 VAC/ 24 VDC NO/ NC: 5A/ 5A 250 VAC/ 24 VDC
Functional specifications	
Control action	1) PID Control with auto tuning 2) ON-OFF control
Proportional band (P)	1.0 to 400.0°C
Integral time (I)	0 to 9999 sec
Derivative time (D)	0 to 9999 sec
Cycle time	0.1 to 99.9 sec
Hysteresis width	0.1 to 99.9°
Manual reset value	-19.9 to 19.9°
<b>Heat-cool</b>	
Control action	PID
Proportional band-cool	1.0 to 400.0°C
Cycle time-cool	0.1 to 99.9 sec
Dead band	SPLL to SPHL (Programmable)
<b>Settings for alarm output</b>	
Modes	Deviation, Absolute
Hysteresis	0.1 to 99.9°

Auxiliary supply specifications	
Supply voltage	90 to 270 VAC/ DC (50/ 60Hz)
Power consumption	6 VA max @ 230 VAC
Environment specifications	
Temperature	Operating: 0°C to 50°C; Storage: - 20°C to 75°C
Humidity (non - condensing)	95% RH
Mechanical specifications	
Mounting	Panel
Weight	TC244AX - 200 gms ; TC344AX - 252 gms

## Terminal connections



## Dimensions (All are in mm)



## Ordering information

Product code	Output 1		Output 2	Supply voltage	Certification
	Relay	SSR			
TC244AX	RELAY (5A)	SSR (12 VDC)	RELAY (5A)	90 to 270 VAC / DC	---
TC344AX	RELAY (5A)	SSR (12 VDC)	RELAY (5A)	90 to 270 VAC / DC	---