



48 x 48mm

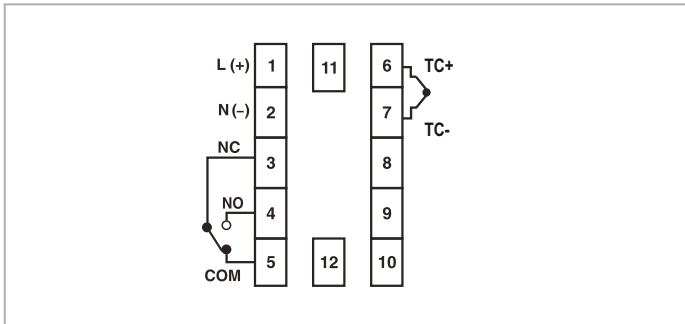
Features :

- ▶ 3 Digits, 7 Segment LED single display
- ▶ J, K, TC input
- ▶ ON - OFF/ PID control
- ▶ Auto tuning
- ▶ Single set point
- ▶ °C/°F selectable
- ▶ Field selectable control output (Relay or SSR)

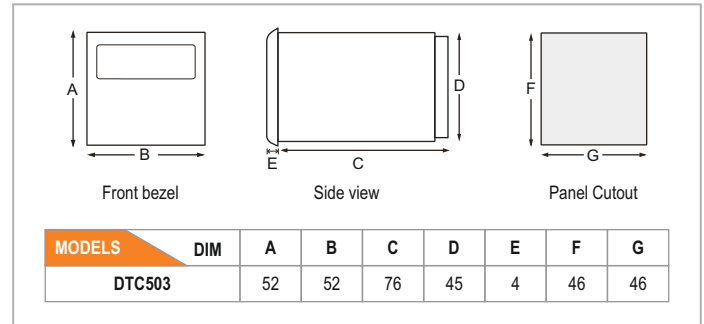
Technical specifications

| Display specifications | |
|---------------------------------|--|
| Display | 3 digits 7 Segment LED dual display |
| Height of display | 10 mm |
| LED indication | R: Control output ON |
| Input specifications | |
| Inputs | Thermocouple (J, K) |
| Resolution | Fixed 1° |
| Indication accuracy | For J, K & T inputs: 0.25% of F.S. ±1°C |
| Temperature unit | °C/°F selectable |
| Input filter (FTC) | 0.2 to 10.0 sec |
| Sampling time | 250 ms |
| Output specifications | |
| Relay contact (SPDT) | Main Output: NO: 10A 250 VAC/ 24 VDC NO/ NC: 5A/ 5A 250 VAC/ 24 VDC |
| Functional specifications | |
| Control action | 1) PID Control 2) ON-OFF control |
| Proportional band (P) | 1 to 400°C |
| Integral time (I) | 0.0 to 99.9 min |
| Derivative time (D) | 0 to 999 sec |
| Cycle time | 0.1 to 99.9 sec |
| Hysteresis width | 0.1 to 99.9°C |
| Manual reset value | - 19.9 to 19.9°C/°F |
| Auxiliary supply specifications | |
| Supply voltage | 90 to 270 VAC/ DC (50/ 60Hz) |
| Power consumption | 6 VA max @ 230 VAC |
| Environment specifications | |
| Temperature | Operating: 0°C to 50°C (32 to 122°F); Storage: 20°C to 75°C (- 4 to 167°F) |
| Humidity (non - condensing) | 95% RH |
| Mechanical specifications | |
| Mounting | Panel |
| Weight | 111 gms |

Terminal connections



Dimensions (All are in mm)



Ordering information

| Product code | Output | Supply voltage | Certification |
|--------------|-------------|--------------------|---------------|
| DTC503 | RELAY (10A) | 90 to 270 VAC / DC | --- |