



96 x 96mm

## Features :

- 3Ø - 3Wire Input
- Monitors Over Load (As per NEMA Curve), Over Current, Under Current
- Earth Fault, Lock Current, Current Asymmetry
- Phase Sequence, Phase Failure
- LED Indication : Power ON, Trip Relay
- Test & Reset Function via Front / Remote
- Panel Mount

### Display specifications

Display	4 Digits, 7 Segment LED Display
No of LED	2
No of Keys	3

### LED Indication Chart

Various Condition	'R1' LED	'R2' LED
No Fault	OFF	OFF
Trip (Relay1)	ON	OFF
Alarm (Relay2)	OFF	Blinking
Trip if Programmed for Both Relay	ON	ON

### Input Specifications

Current Measuring Range	
A) Motor Rated Current Measuring with Measuring with MPCT from 3A to 80A	
- MPCT D15 10A	
- MPCT D15 40A	
- MPCT D15 80A	
B) Earth Fault Current Measurement with EFCT from 1A to 160A	
- EFCT 100/25 160/1A VA 1 CL1	
- EFCT 140/35 160/1A VA 1 CL1	
TIME SETTINGS	
Power ON Delay	1 - 999sec
Trip time delay	0-999sec
(For OC, UC, LC, Asymmetry, Earth Fault)	
Phase Failure	Instantaneous(<120ms)
Phase Reversal	Instantaneous(<120ms)
Reset Time	1-999sec for current parameters
	1-999 sec for Earth Fault
Response Time	<120ms
Reset Attempts	3 (fixed)
Reset Attempt Time Frame	0 - 999min
HYSTERESIS	
Current	0 – 99A
RESOLUTION	
Current	0.01 for < 10A
	0.1 for >10A
ACCURACY	
Time	±5%+100msec
Current	5% of IR(Rated Current)
Reset	Auto / Manual

### Output Specifications

Relay 1	TRIP (1CO)
Relay 2	PROGRAMMABLE AS ALARM / TRIP (1CO)
Relay Rating	NO (5A, 250V AC/28VDC) NC (5A, 250V AC/28VDC)

### Auxiliary Supply Specifications

Operating Voltage Range	90V - 270V AC / DC
VA Rating	4VA
Frequency	50-60Hz

### Functional Specification

Over Load	NEMA class : Start with OFF then Curve 5, 10, 15, 20, 30
Over Current	Ranges : Start With OFF then 4A TO 480A Of IR (Rated Current) Step Size : 1A
Over Current Trip Time	0 - 999sec
Under Current	Ranges : Start With OFF then 1A TO 79A Of IR (Rated Current) Step Size : 1A
Under Current Trip Time	0 - 999sec
Current Asymmetry	Ranges : Start With OFF then 1A TO (Ir-1)A Of IR (Rated Current) Step Size : 1A
Current Asymmetry Trip time	0 - 999sec
Locked current / Stall current	(Ir+1)A to 60A(Default :20A) (Ir+1)A to 240A(Default : 80A) (Ir+1)A to 480A(Default: 160A) Step Size : 1A
Locked Current Trip time	0 - 999sec
Earth Fault	Ranges : Start With OFF then 1A TO 160A Step Size : 1%
Earth Fault Trip time	0 - 999sec
Phase Loss	Present
Phase Loss trip time	Instantaneous
Phase Reversal	Present
Phase Reversal Trip time	Instantaneous
Reset Time	0 - 999sec for Current related parameter 0 - 999sec for EFR

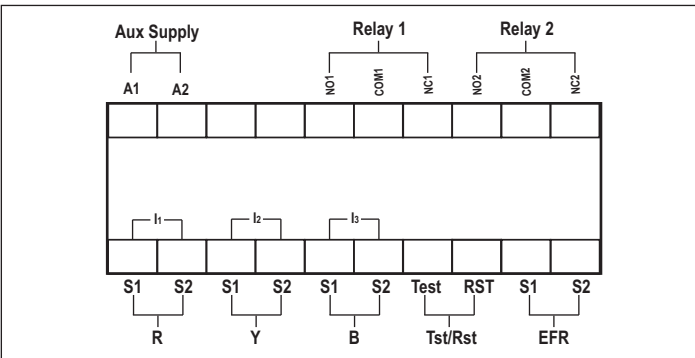
### Environmental Specifications

Temperature	Operating Temperature : 0°C to 55°C Storage Temperature : -20°C to +70°C
Humidity	Upto 95% RH, Non Condensing

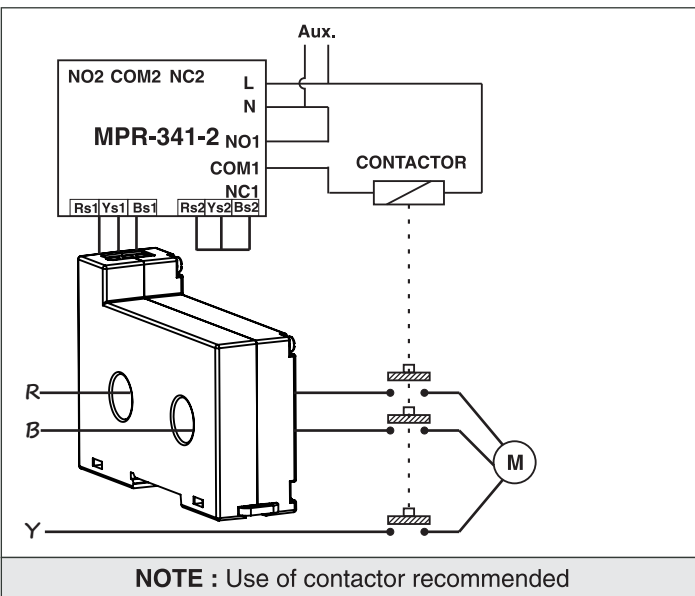
### Mechanical Specifications

Size	96 x 96 mm
Mounting	Panel Mount
Wire Size (max)	4 sq.mm
Screw tightening torque	0.5 N-M
Weight	300gm approx.

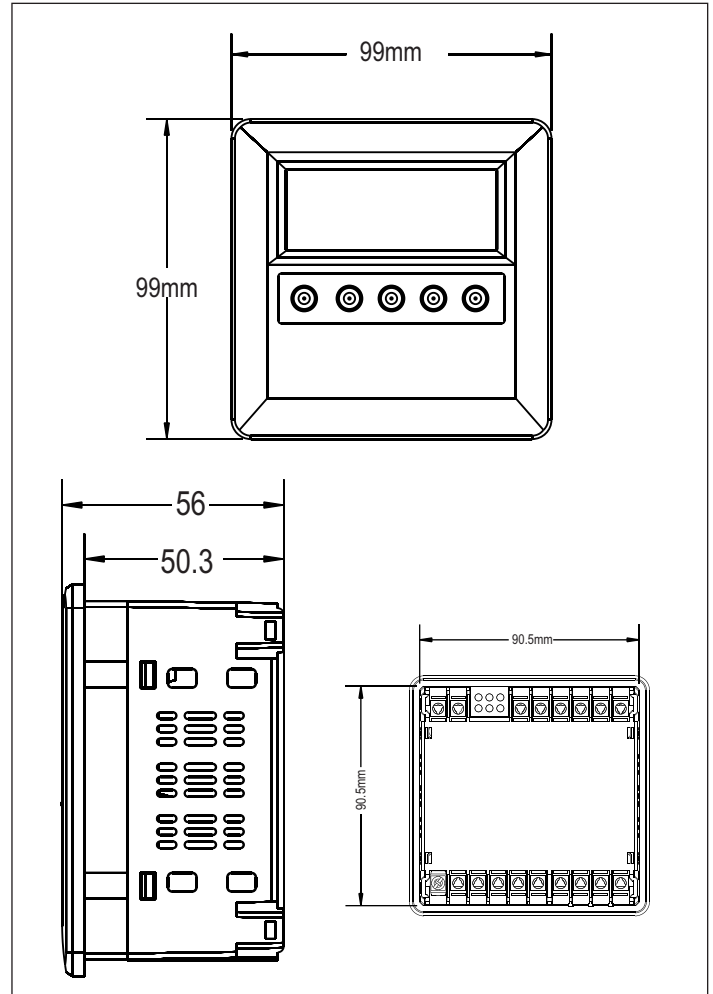
### Terminal Connections



### Wiring Diagram



### Dimensions



### Ordering Information

Product Code	Supply Voltage	Certification
MPR-341-2	90-270V AC/DC	---

### Accessories

Product Code	INPUT CURRENT	Certification
MPCT D15 10 A	10 A	---
MPCT D15 40 A	40 A	---
MPCT D15 80 A	80 A	---

Product Code	TURNS RATIO	Certification
EFCT 100/25 160/1A VA 1 CL1	160 / 1A	---
EFCT 140/35 160/1A VA 1 CL1	160 / 1A	---

### CT Dimensions

