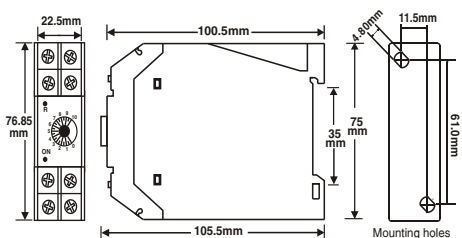




PANEL DIMENSIONS



SPECIFICATIONS

SUPPLY VOLTAGE

230 VAC, 110 VAC (Tolerance: -15 to + 10%)
(Factory set)
200 VAC to 450 VAC, AC : 50 or 60 Hz

OUTPUT CONTACT

800SD : 1NO contact each for star and delta relay.

800SD-2 : 1C/O contact each for star and delta relay.
(Rated at 5A@230 VAC, resistive.)

LED INDICATION

Star relay, Delta relay.

TIME RANGE

Run up time : 30/60 sec.
Change over time : 50/100 ms.
(User selectable via DIP switches)

ACCURACY

Setting : $\pm 5\%$ of full scale.
Repeat : $\pm 0.5\%$ or 50 ms
(whichever is greater)

RESET

On interruption of power.
Reset time less than 100 ms.

MOUNTING

DIN rail / Screw mounting.

SIZE (In mm)

22.5(W) x 75(H) X 101(D).

HOUSING

CE marked products : Flame retardant plastic.

Non CE products : ABS plastic.

TEMPERATURE

Operating : 0°C to 50°C .
Storage : -20°C to 75°C .

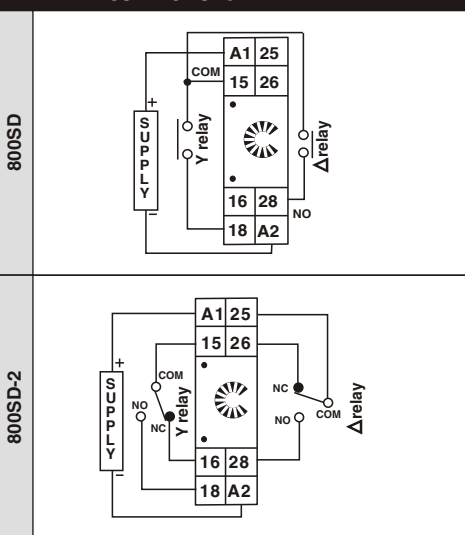
HUMIDITY

Up to 95% RH.

WEIGHT

115 grams.

TERMINAL CONNECTIONS



TERMINAL		DESCRIPTION
800SD	800SD-2	
A1	A1	Timer Supply (L)
A2	A2	Timer Supply (N)
15	15	Y relay COM
-	16	Y relay NC
18	18	Y relay NO
15	25	Δ relay COM
-	26	Δ relay NC
28	28	Δ relay NO

