

133 x 87 x 78mm

Features :

- ERLYMD-2-1-S8-1CO-24V is a Module used in conjunction with any PLC (With RS485 Master Communication)
- Up to 7 number of such Modules can be connected to a Master PLC
- Four Baudrate selections 9600, 19200, 38400, 57600 bps (User Configurable)
- Seven Slave ID selection 1 to 7 (User Configurable)
- Default Baudrate 19200 bps and slave ID 1
- 12 LED Indicators
- Five way DIP switch for Slave ID & Baudrate selection

Contacts	1 Change Over
No. of Channels	8
RELAY	
Operate (Set) time	15ms max
Release (Reset) time	5ms max
Endurance	Mechanical : 10000000 ops Electrical : 100000 ops
Dielectric Strength	Coil to contact : 5000VAC for 1 minute Open contacts : 1000VAC for 1 minute
Contact rating	10A@277VAC / 30VDC
Mounting	35 mm DIN Rail

LED Display

LED Name	LED COLOR	INDICATION
Power LED (PWR)	Green	Always ON when Device is powered
Receive LED (Rx)	Green	Blinks when receives Command from Master
Transmit LED (Tx)	Red	Blinks when transmits response to Master
Status LED (Stat)	Red	Will turn OFF if no command received within 10 secs Flashes for 500ms ON, 500ms OFF when SID = 0 (hardware setting), Module is disabled

Environmental Specifications

Temperature	Operating : -40 to 70°C
Humidity (non-condensing)	98% RH
Weight	328.8gms
Dimensions (in mm)	133 x 87 x 78 (W x H x D)

DIP SWITCH SELECTION

Slave ID	DIP SWITCH				
	1	2	3	4	5
NA	X	X	OFF	OFF	OFF
1	X	X	OFF	OFF	ON
2	X	X	OFF	ON	OFF
3	X	X	OFF	ON	ON
4	X	X	ON	OFF	OFF
5	X	X	ON	OFF	ON
6	X	X	ON	ON	OFF
7	X	X	ON	ON	ON
Baudrate (bps)					
9600	OFF	OFF	X	X	X
19200	OFF	ON	X	X	X
38400	ON	OFF	X	X	X
57600	ON	ON	X	X	X

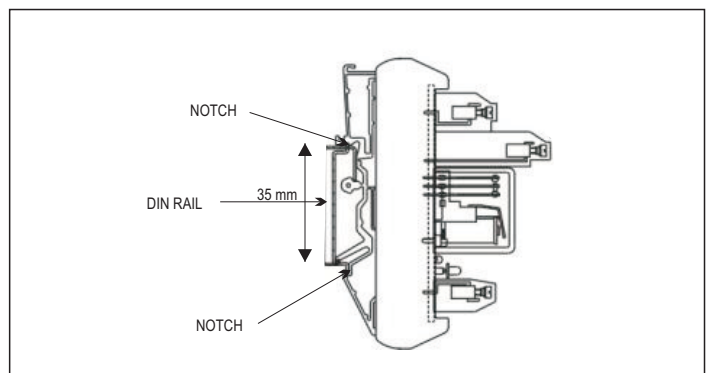
Communication

Communication Port	RS485 Slave
Connector	Screw Terminal Port
Communication Protocol	Modbus RTU Protocol
Baud Rate	9600, 19200, 38400, 57600 bps (User Configurable), Default 19K2
Fixed Settings	Parity (None), Stop bits = 1, Data Length = 8
Coil Address	Starting from 0 to 7

Supply Specifications

Supply Voltage	18 - 30 VDC
----------------	-------------

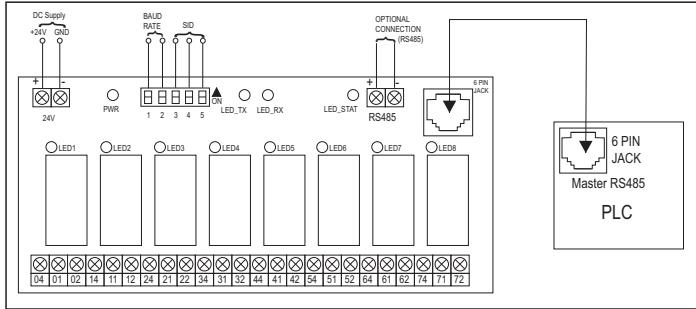
Dimensions (in mm)



TERMINAL CONNECTIONS

04	01	02	14	11	12	24	21	22	34	31	32	44	41	42	54	51	52	64	61	62	74	71	72
1NO	1C	1NC	2NO	2C	2NC	3NO	3C	3NC	4NO	4C	4NC	5NO	5C	5NC	6NO	6C	6NC	7NO	7C	7NC	8NO	8C	8NC

WIRING DETAILS



Port Description

Port 1 (6 Pin Jack)	
Pin	Description
1	RS485 + ve
2	NC
3	NC
4	NC
5	NC
6	RS485 - ve

Ordering Information

Product Code	Description	Certification
ERLYMD-2-1-S8-1CO-24V	Relay Module – 8 Channel 1 Change Over, Communication based	CE RoHS in Process