



DIN 17.5mm

**Features :**

- 15 Functions
- 9 Time ranges
- Front key pad setting
- Universal supply voltage
- Slim, Space saving design

Certifications :  

**Display specifications**

Display	3 + 3 digits
Indications	Relay ON, Operating modes, Hr, Min, Sec

**Input specifications**

Accuracy	Setting : $\pm 0.1\%$ of set time or $\pm 50\text{msec}$ (whichever is greater) For Y contact operation : $+100\text{msec}$ Repeat : $\pm 0.1\%$
----------	---

**Output specifications**

Relay contact	1 C/O SPDT
Contact rating	8A @ 250V AC

**Functional specifications**

Modes	On delay (A) Interval (B) Asymmetrical cyclic OFF first (C) Asymmetrical cyclic ON first (D) Cyclic equal OFF first (E) Cyclic equal ON first (F) Pulse output (H) Delay on break (J) Delay on make / break (K) Interval after break (L) Single shot (P) Retriggerable single shot (Q) Latching relay (R) Delay on break with totalise (T) Interval with totalise (U)
Time ranges	0 - 9.99sec 0 - 99.9sec / min / hr 0 - 999sec / min / hr 0 - 9:59min : sec 0 - 9:59hr : min
Counting direction	Down
Memory retention	Yes (selectable)
Resolution	0.01sec
Reset	Front key, On power interruption Reset time <100msec

**Auxiliary supply specifications**

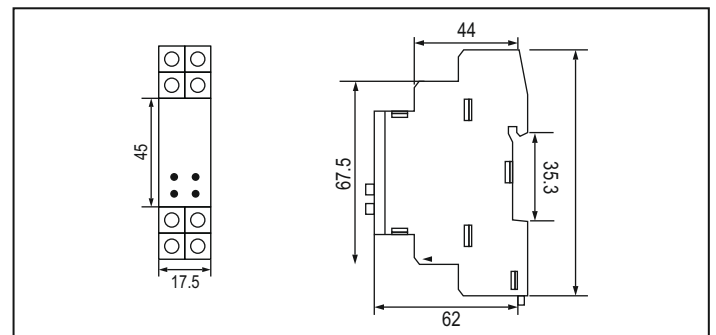
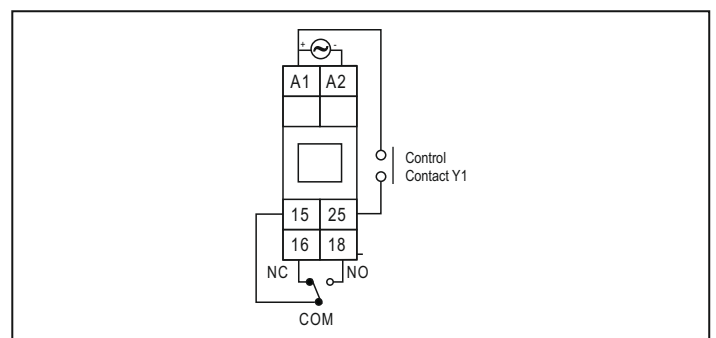
Supply voltage	20 to 240V AC / DC (50 / 60Hz)
Power consumption	4VA max


**Environmental specifications**

Temperature	Operating : 0 to 50°C (32 to 122°F) Storage : -20 to 75°C (-4 to 167°F)
Humidity (non - condensing)	95% RH

**Mechanical specifications**

Mounting	DIN rail
Weight	75 gms

**Dimensions (All are in mm)****Terminal connections**

 Cable Size (AWG) : 16 ; Tightening Torque (Lb - inch) : 5.3...7.08 lbf.in

 Cable Size (mm<sup>2</sup>) : 1.5 ; Tightening Torque (N-m) : 0.6...0.8 N. M

## Compliance

Applicable EMI / EMC standards		
Product standard		
Category	Reference standards	Testing level
Electrostatic discharge	IEC 61000-4-2	Level-3
Electrical fast transient / Burst	IEC 61000-4-4	Level-3
Electromagnetic field	IEC 61000-4-3	Level-3
Surge	IEC 61000-4-5	Level-3
Conducted RF	IEC 61000-4-6	Level-2
Rated power frequency	IEC 61000-4-8	Level-4
Voltage dip / Short interruptions	IEC 61000-4-11	Level-3
Conducted emissions	CISPR-11	Class-B
Rated emissions	CISPR-22	Class-A
Emission & Immunity	IEC 61326-1	
Safety	IEC 61010-1	
PFMF (Passing criteria)	IEC 61000-4-8	Class A

## Ordering information

Product code	Supply voltage	Certification
600DT	20 to 240V AC / DC	CE
600DT-CU	20 to 240V AC / DC	CE 