



Features :

- 26.4W Rated power
- Protection against short circuit, Overload & Over voltage
- Low ripple & noise
- Cooling by free air convection
- Power OK indication
- Low cost
- High reliability
- Compact

Certification :

Display specifications

| | |
|---------|--------------------------|
| Display | LED Indication for DC OK |
|---------|--------------------------|

Input specifications

| | |
|-----------------|--|
| Voltage range | 100 ~ 270 VAC, 100 - 300 VDC |
| Frequency range | 50 / 60 Hz |
| AC current | 100 V - 0.6 A 270 V - 0.3 A |
| Efficiency | Up to 83 % at 230 VAC |
| Inrush current | 115 VAC - < 40 A at cold start 230 VAC - < 75 A at cold start |

Output specifications

| | |
|------------------------|--|
| DC voltage | 24 VDC |
| Rated current | 1.1 A |
| Line & Load regulation | Better than 0.5 % |
| Hold up time | 30 ms (Typical) at 230 VAC input voltage & Full load |
| Ripple & Noise | < 200 mV |

Protections

| | |
|-----------------|---|
| Overload | ≥110 % of rated output current |
| Protection type | Hiccup mode, Recovers automatically after fault condition is removed. |
| Input fuse | 2 A @ 250 VAC (Internal) |

Environment specifications

| | |
|-----------------|------------------|
| Operating | - 25°C to + 70°C |
| Storage ambient | - 40°C to + 85°C |

Mechanical specifications

| | |
|---------------------|--------------------------------|
| Mounting | DIN rail |
| Dimension | 35*93.8*60mm (W*H*D) |
| Weight | 140 gms |
| Terminal connection | Screw type, for 2.5mm sq. wire |

RELIABILITY

| | |
|------|---|
| MTBF | > 475K hrs. as per MIL-HDBK-217F (25°C) |
|------|---|

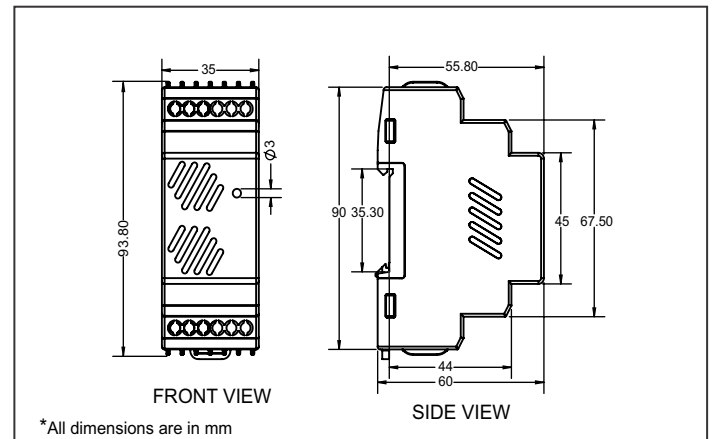
Connectors details

| Description | Type | Torque |
|------------------|----------------------|--------|
| Input connector | GOOSVN : GS017S-5.08 | 0.5 Nm |
| Output connector | OR Equivalent | |

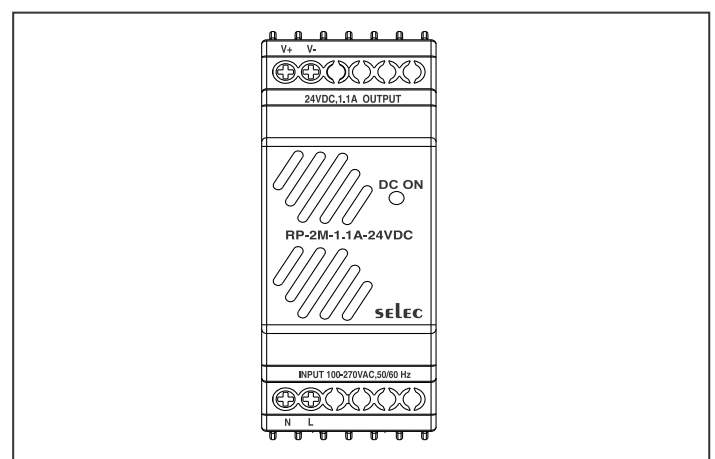
Safety & EMC

| |
|---|
| Safety standards : IEC61010-1 |
| Isolation Input - Output : 4KVAC, 1 min |

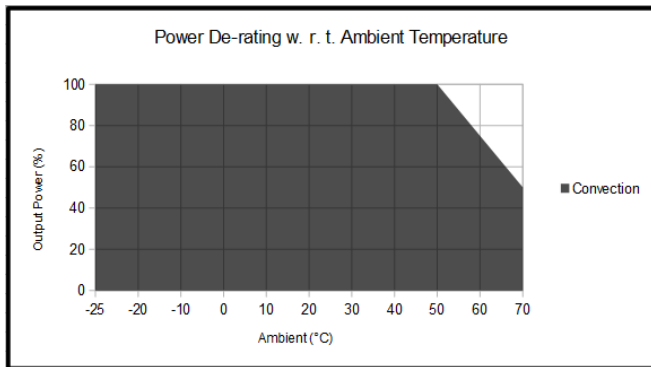
Mechanical dimensions



Terminal connections



Derating curve



Ordering information

| Product code | Description | Certification |
|--------------------------|---------------------------|---------------|
| RP-2M-1.1A-24VDC-CE-RoHS | 24V DC, 1.1A Power Supply | CE RoHS |

Compliance

| Applicable EMI / EMC Standards | | |
|-----------------------------------|---------------------|--|
| Product Standard | | |
| Category | Reference Standards | Testing Level |
| Conducted Emission | CISPR32 | CLASS B |
| Radiated Emission | CISPR32 | CLASS A |
| Electrostatic Discharge | IEC61000-4-2 | Level 4, Criteria A Level 3, Criteria A |
| Radiated Susceptibility | IEC61000-4-3 | Level 3, Criteria A |
| Electrical Fast Transient / Burst | IEC61000-4-4 | Level 3, Criteria A |
| Surge | IEC61000-4-5 | Level 3, Criteria A |
| Conducted Susceptibility | IEC61000-4-6 | Level 3, Criteria A |
| Power Frequency Magnetic Field | IEC61000-4-8 | Level 4, Criteria A |
| Voltage Dips & Interruption | IEC61000-4-11 | CLASS 3, Criteria A & B |
| Safety | IEC62368-1 | PASS |