



48 x 48mm

### Features :

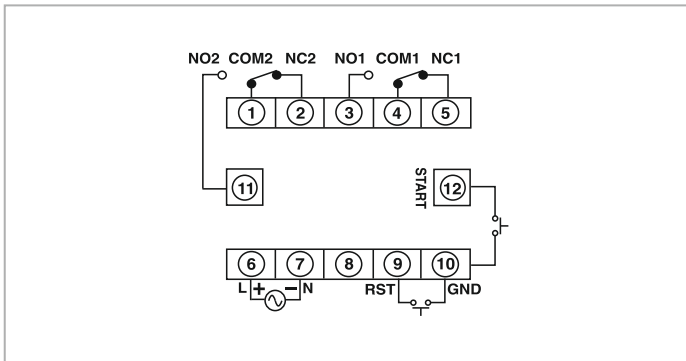
- ▶ Single Set Point
- ▶ On delay/ Interval
- ▶ 2 C/O SPDT
- ▶ 6 Time Ranges
- ▶ Down Counting

Certifications : 

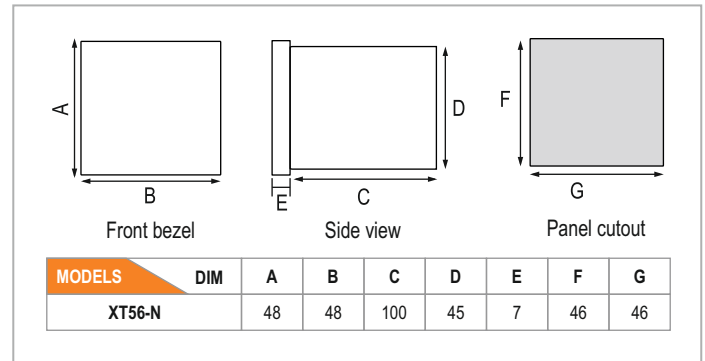
## Technical specifications

Display specifications	
Display	3 digits, 7 segment LED
LED Indications	Relay ON
Input specifications	
Accuracy	± 0.05% of F.S. or 50msec
Start input	Pulse start
Output specifications	
Contact rating	Relay: NO: 10A 250 VAC/ 24 VDC NO/ NC: 5A/ 5A 250 VAC/ 24VDC
Relay contact	2X SPDT
Functional specifications	
Auxiliary supply	ON delay/ Interval
Time ranges	0 - 9.99sec, 0 - 99.9sec, 0 - 999sec, 0 - 99.9min, 0 - 999min, 0 - 99.9hr
Resolution	0.01sec
Counting direction	Down
Set Point	1
Time setting	Pushwheel
Reset	Front, Remote, On power interruption
Memory retention	No
Auxiliary supply specifications	
Supply voltage	90 to 270 VAC/ DC (50/ 60Hz) and 24 VDC
Environmental specifications	
Temperature	Operating: 0 to 50°C ; Storage: - 5 to 55°C
Humidity (non - condensing)	95% RH
Mechanical specifications	
Mounting	Panel mount
Weight	170gms

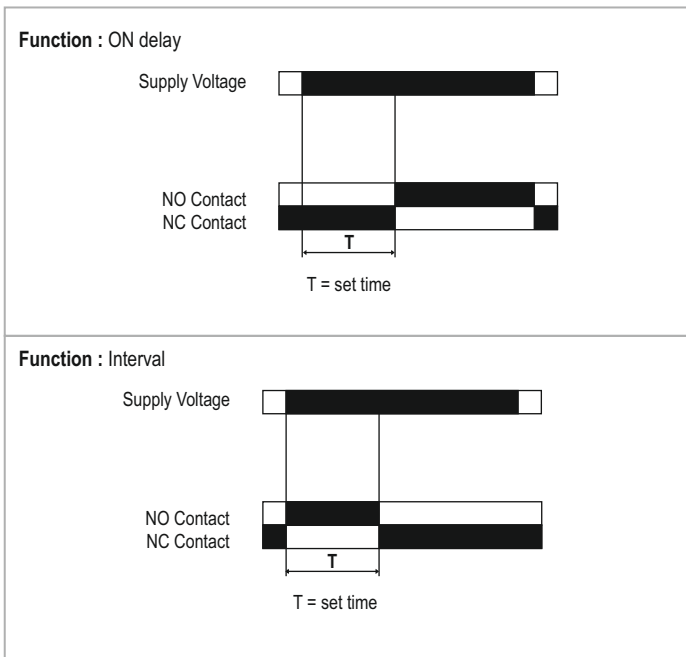
## Terminal connections



## Dimensions (All are in mm)



## Timing diagrams



## Compliance

Applicable EMI / EMC Standards		
Product Standard		
Category	Reference Standards	Testing Level
Electrostatic Discharge	IEC 61000-4-2	Level-3
Electrical Fast Transient/ Brust	IEC 61000-4-4	Level-3
Electromagnetic Field	IEC 61000-4-3	Level-3
Surge	IEC 61000-4-5	Level-3
Conducted RF	IEC 61000-4-6	Level-2
Rated Power Frequency	IEC 61000-4-8	Level-4
Voltage Dip/ Short Interruptions	IEC 61000-4-11	Level-3
Conducted Emissions	CISPR-11	Class-B
Rated Emissions	CISPR-22	Class-A
Emission & Immunity	IEC 61326-1	
Safety	IEC 61010-1	
PFMF (Passing criteria)	IEC 61000-4-8	Class A

## Ordering information

Product code	Supply voltage	Certification
XT56-N	90 to 270 VAC/ DC	---
XT56N-24V	24 VAC/ DC	---
XT56-N-CE	90 to 270 VAC/ DC	CE