



60 x 60mm

**Features :**

- 6 digits for Time Display, 2 digits for Step No.
- 50 ON - OFF Steps Per Day
- Indications
  - Auto Manual
  - Holiday
  - Relay Status
  - Day Of Week
  - Programming Mode
- 10 Years Power Reserve (Lithium Battery)

Certification :

**Display Specifications**

Display	Text LCD (Without Backlight) 6 digits for time display, 2 digits for step no.
Character Height	5.07mm (HH : MM) and 3.39mm (SS)
Indications (Through symbol)	Auto Manual, Holiday, Relay status, Day of week, Programming mode

**Output Specifications**

No. of Output	1
Relay Contact	1NO & Neutral
Contact Rating	20A @ 250V AC

**Functional Specifications**

Operation Period	1 week
Weekly Program	Total 50 ON Steps and 50 OFF Steps 2 Programs x 25 Steps 3 Programs x 16 Steps 4 Programs x 12 Steps 5 Programs x 10 Steps 6 Programs x 08 Steps 7 Programs x 07 Steps 8 Programs x 06 Steps
Minimum setting unit	1 second
Holiday Settings	16 dates
Clock	12 - hr (AM / PM) and 24 - hr selection
Relay Operating Mode	Auto / Permanent Override ON / Permanent Override OFF
RTC accuracy	15 mins a year@25°C

**Auxiliary Supply Specifications**

Supply Voltage	230V AC ±10% / 110V AC ±10% (50 / 60 Hz)
Power Consumption	Approx. 9 Watts at 252 VAC

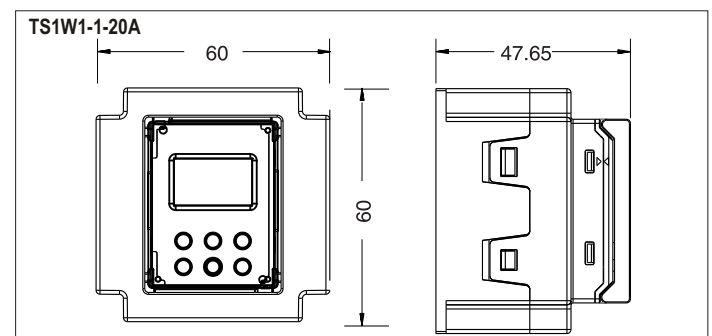
**Environmental Specifications**

Temperature	Operating : 0 to 50° C Storage : -20 to 70° C
Humidity (non - condensing)	Upto 95% RH

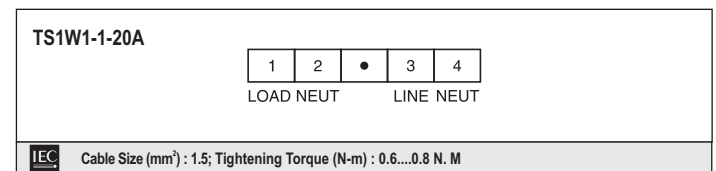
**Mechanical Specifications**

Mounting	Wall Mount
Weight	100gms

**Dimensions**



**Terminal Connections**



**Compliance**

Applicable EMI / EMC Standards		
Product Standard		
Category	Reference Standards	Testing Level
Electrostatic Discharge	IEC 61000-4-2	Level-3
Electrical Fast Transient / Burst	IEC 61000-4-4	Level-3
Electromagnetic Field	IEC 61000-4-3	Level-3
Surge	IEC 61000-4-5	Level-3
Conducted RF	IEC 61000-4-6	Level-2
Rated Power Frequency	IEC 61000-4-8	Level-4
Voltage Dip / Short Interruptions	IEC 61000-4-11	Level-3
Conducted Emissions	CISPR-11	Class-B
Rated Emissions	CISPR-22	Class-A
Emission & Immunity	IEC 61326-1	
Safety	IEC 61010-1	
PFMF (Passing criteria)	IEC 61000-4-8	Class A

## Ordering Information

Product Code	Supply Voltage	Certification
TS1W1-1-20A-230V-CE	230V AC	CE
TS1W1-1-20A-110V	110V AC	---